



27" IPS panel technology, edge-to-edge monitor featuring WQHD resolution

Stylish ultra-flat front design makes the ProLite XUB2792QSU perfect for multi-monitor set-ups. The IPS panel technology offers accurate and consistent colour reproduction with wide viewing angles and the WQHD (2560 x 1440) resolution means the XUB2792QSU can accommodate almost 77% more information on the screen than a Full HD display. High contrast and brightness values guarantee the monitor will provide excellent performance for photographic and web design, and the height adjustable stand ensures you can easily adjust the screen position to your preferences. It is a great choice for both multi-monitor Digital Signage and office applications. Available also in white: [ProLite XUB2792QSU-W1](#).

Available also with fixed stand: [ProLite XU2792HSU-B1 \(1920x1080\)](#), [ProLite XU2792UHSU-B1 \(3840x2160\)](#) and in white: [ProLite XUB2792QSU-W1](#)



WQHD

With true WQHD 2560 x 1440p resolution your monitor is ready to display high definition images. This means you can accommodate more information on your screen, i.e. over 76% more in comparison to a 1920 x 1080 monitor.



IPS Technology

IPS displays are best known for wide viewing angles and natural, highly accurate colours. They are especially suited for colour-critical applications.

01 DISPLAY CHARACTERISTICS

Design	ultra slim
Diagonal	27", 68.5cm
Panel	IPS Panel Technology LED, matte finish
Native resolution	2560 x 1440 (3.7 megapixel WQHD)
Aspect ratio	16:9
Brightness	350 cd/m ² typical
Static contrast	1000:1 typical
Advanced contrast	5M:1
Response time (GTG)	5ms
Viewing zone	horizontal/vertical: 178°/178°, right/left: 89°/89°, up/down: 89°/89°
Colour support	1.07B 10bit (8bit + Hi-FRC)
Horizontal Sync	30 - 89kHz
Vertical Sync	55 - 75Hz
Viewable area W x H	596.7 x 335.7mm, 23.5 x 13.2"
Pixel pitch	0.233mm
Colour	matte

02 INTERFACES / CONNECTORS / CONTROLS

Signal input	DVI x1 HDMI x1 DisplayPort x1
USB HUB	x2 (v.3.0)
HDCP	yes
Headphone connector	yes

03 FEATURES

Blue light reducer	yes
Flicker free	yes
FreeSync support	DisplayPort: 2560x1440 @70Hz
OSD languages	EN, DE, FR, ES, IT, PT, CN, RU, JP, CZ, NL, PL
Control buttons	Power, Menu/ Select, +/- Volume, -/ ECO, Exit, Input
User controls	picture adjust (contrast, brightness, OD, ACR, ECO, blue light reducer), input select, audio adjust (volume, mute, digital audio), colour adjust, image adjust (sharpness, video mode adjust), language, setup (OSD position, OSD time out, opening logo, auto power off, FreeSync), display information, reset
Speakers	2 x 2W
Convenience	Kensington-lock™ prepared, DDC2B, Mac OSX

04 MECHANICAL

Display position adjustments	height, pivot (rotation), swivel, tilt
Height adjustment	130mm
Rotation (PIVOT function)	90°
Swivel stand	90°; 45° left; 45° right
Tilt angle	22° up; 5° down
VESA mounting	100 x 100mm

05 ACCESSORIES INCLUDED

Cables	power, USB, HDMI, DP
Other	quick start guide, safety guide

06 POWER MANAGEMENT

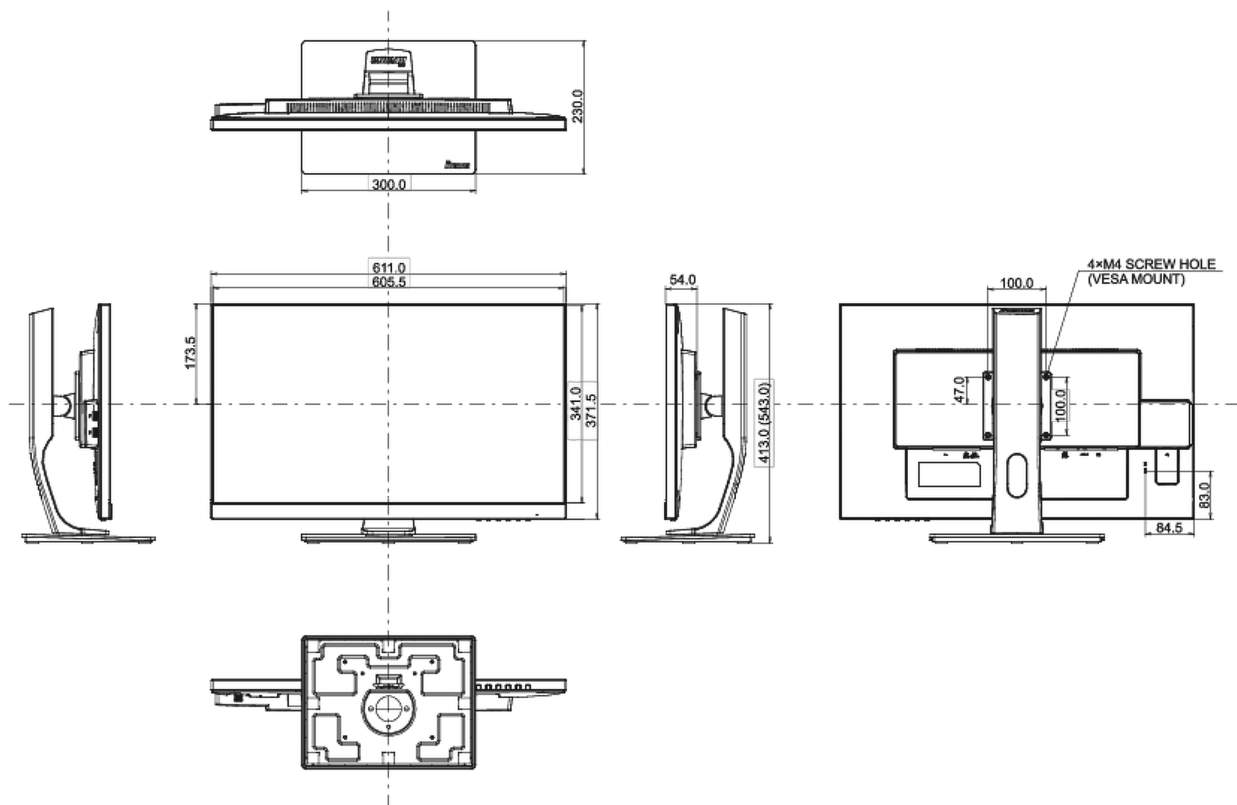
Power supply unit	internal
Power supply	AC 100 - 240V, 50/60Hz
Power usage	33W typical, 0.5W stand by, 0.5W off mode

07 SUSTAINABILITY

Regulations	TCO, CE, TÜV-GS, EPEAT, CU
Energy efficiency class	A
EPEAT Silver	EPEAT is a comprehensive environmental rating that helps identify greener computers and other electronic equipment. The Silver certification means the monitor meets all required criteria plus at least 50% of the optional requirements. EPEAT Silver is valid in countries where iiyama registers the product. Please visit www.epeat.net for the registration status in your country.
Other	REACH SVHC above 0.1%: Lead

08 DIMENSIONS / WEIGHT

Product dimensions W x H x D	611 x 413 (543) x 230mm
Weight (without box)	7.2kg
EAN code	4948570115211



09 EU ENERGY EFFICIENCY LABEL

Manufacturer	iiyama
Model	ProLite XUB2792QSU-B1
Energy efficiency class	A
Visible screen diagonal	68cm; 27"; (27" segment)
ON mode power consumption	30W
Annual energy consumption	44kWh/annum*
Power in Standby	0.5W stand by
Power in OFF Mode	0.5W off mode
Resolution	2560 x 1440

*This is information under Regulation (EU) No 1062/2010.*Based on the power consumption of the television operating 4 hours per day for 365 days. The actual energy consumption will depend on how the television is used.*

All trademarks and registered trademarks acknowledged. E & O E. Specification subject to change without notice. All LCD's comply with ISO-9241-307:2008 in connection with pixel defects.

© IIYAMA CORPORATION. ALL RIGHTS RESERVED