


# LA REDOUTE Product Description File

La Redoute

Date of issue : 18/06/2018

			Product picture
La Redoute ITEM CODE	OW324		
LR Concept NUMBER	GEX155		
Season	AW18		
Type article	SE (super encombrant)		
Designation	ADDISSON DESK		
Furniture Quality Engineer	Reynald HAYART		
Product Manager	Caroline BOOTZ		
Stock Reference	Size Code - Colour	EAN Code	
173.1521	Chêne	3614851173669	

## 1. Supplier info / Information fournisseur

Supplier	<b>GOMO VIETNAM CO., LTD</b>
Supplier number	<b>17502</b>
Address	<b>79/18 NGUYEN VAN CU ST., CHANH LOC 3 HAMLET CHANH MY COMMUNE, THU DAU MOT CITY, BINH DUONG PROVINCE, VIETNAM</b>
Postcode	
City	
Country	<b>VIETNAM</b>

Factory	<b>GOMO</b>
Phone	<b>84-0274-3883701</b>
Fax	<b>84-0274-3883702</b>
Mail	<a href="mailto:philippebouchard@gomo.com.vn">philippebouchard@gomo.com.vn</a>

## 2. Packaging / Emballage

Pack	Content	Dimensions (mm)			Weight
		Length	Width	Height	Kg
1/1	1Pc	1300	540	860	35.5
Loading Quantity					
20'		40'		40'H	
42	sets	84	sets		sets

Weight of packaging materials					
Code	New code	Type of material	Designation	Consumer pack (in kg)	Multipack (in kg)
001	023	Corrugated cardboard / Carton	Boxes protections / Cale	6,7	
003	030	Expanded polyethylene / Polystyrene	EPS protections / Coins	0.8	
004	072	Polypropylene	Soft bag / Sachet		
005		Metal (excluded aluminium)		14	
012		Others plastics / Autres			

Note: Multipack is a package or physical unit that contains a number of consumer packages which are received by our warehouse only as a mean to replenish the units which will be send to our customers.

The weight of packing material is to be declared in kg with 3 decimals (x.xxx kg)

## 3. Labelling and Marking / Marquage spécifique sur produit

A label with the codification of stock and supplier's number must be stuck on the packaging. These infos can be also printed on the product carton.

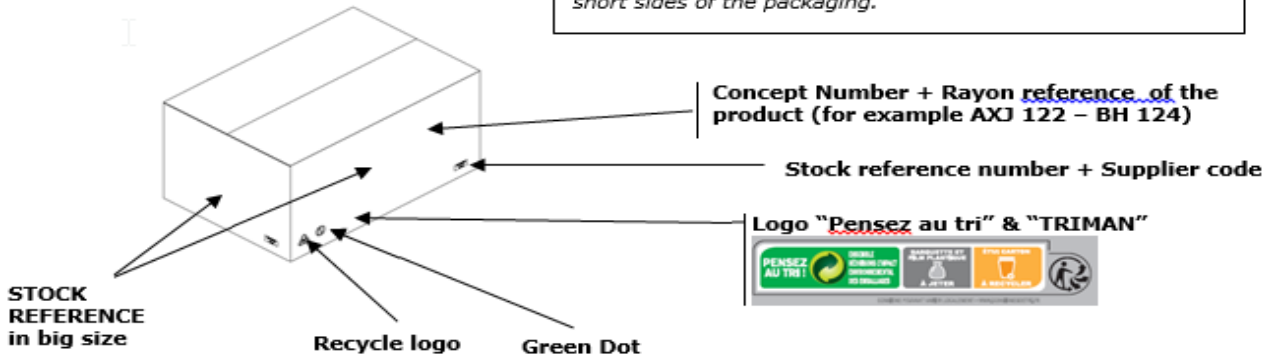
Une étiquette avec la codification de stock et le numéro de fournisseur doit être collée sur l'emballage. Ces informations peuvent aussi être imprimés sur l'emballage carton du produit.

The plastic bag must be marked with safety instructions and with holes to avoid any suffocations risks.

Les sachets plastiques doivent comporter les textes sécuritaires et avoir des perforations suffisantes pour éviter tout risque de suffocation.

On the packaging must be MANDATORY indicated/printed the information highlighted in the below illustrations. Any additional infos such as number of carton from prod. lot, country of origin, Gross weight, Net weight etc...are accepted.

*Note: The required labels shall be stuck on one long and one short sides of the packaging.*

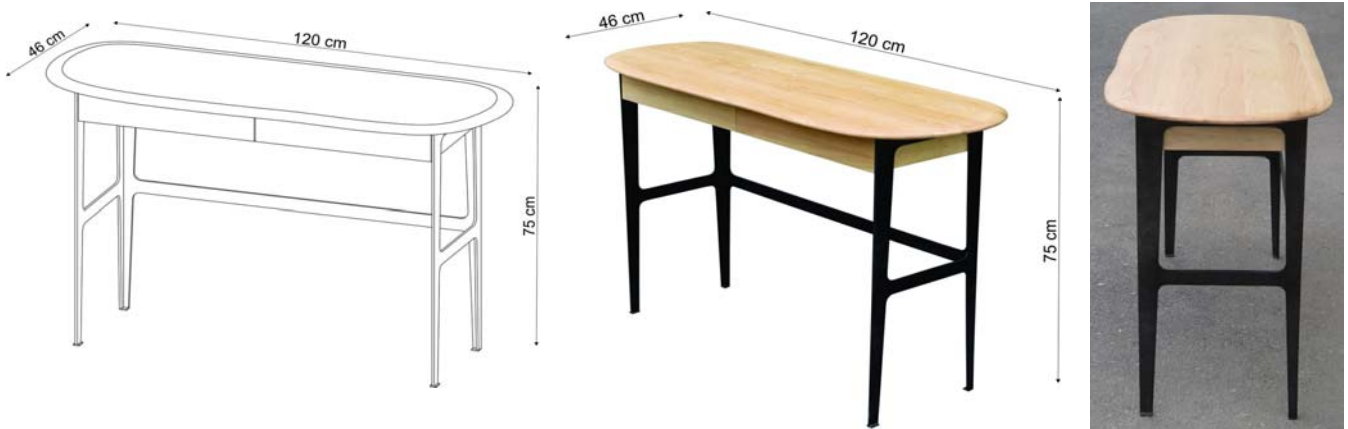


## 4. Product informations / Informations produit

Overall Dimensions (mm)			Weight	Assembled / KD Assemblé / Kit Assembled
Length/Longueur	Width/Largeur	Height/Hauteur	Kg	
1200	460	750	28	

Useful dimensions / Dimensions utiles	Dimensions (mm)		
	Description	Length	Width
Tiroir x 2	399	276	65
Plateau	1200	460	22

### Product pictures and useful measurements



### Product pictures : Design & Technical details

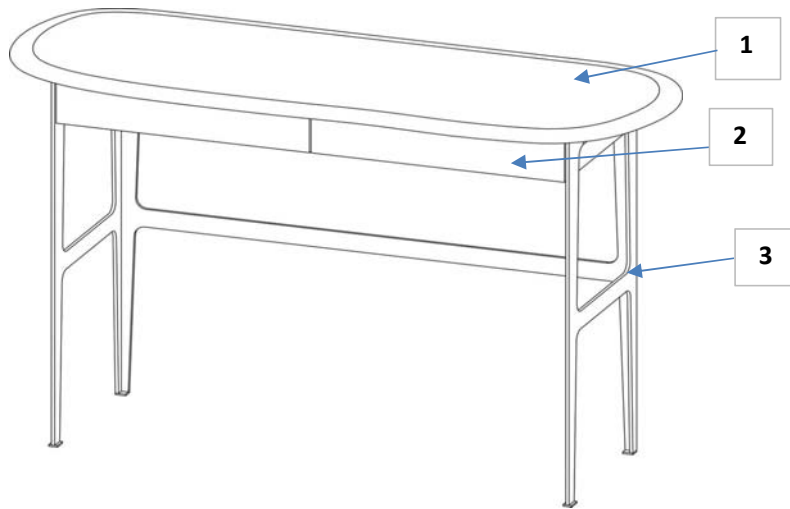




Finition gun métal

Patins feutre pour les pieds

## 5. Materials & Finishing / Matériaux et finitions



AI Part Nbr	Designation	Material / Matériau (including thickness)	Surface finish or treatment/ Finition ou traitement	Dimensions (mm)		
				Length	Width	Height
1	Top	Solid Oak / 22mm / Chêne massif 22 mm	Brush + Natural PU / Top brossé, Finition polyuréthane coloris naturel	1200	460	22
2	Box + drawers under top	Solid Oak + Mdf veneer / 85mm / Chêne massif + Mdf placage chêne	Natural PU / Finition polyuréthane coloris naturel	935	323	85
3	Feet	Metal / 6mm	Gun finish / Finition gun metal	952	330	728

Wood information (EUTR legislation)						
Tree species (Trade name)	Latin name (scientific name)	Wood Volume in product (m3)	Supplier/Importer (FSC certificate if any)	Country	Region	Concession holder (name & address)
White oak / Chêne blanc	QUERCUS ALBA	0,0127	SW-FM/COC-005305	USA	PO Box 67, Endeavor, Pennsylvania 16322 United states	Chagrin Land Limited Partnership Add:PO Box 67, Endeavor, Pennsylvania 16322 United states

**Note:** You can find the above informations requested in the LA REDOUTE Forest Traceability Questionnaire (LRFTQ), with the scrolling menus

Wood based panels information (EUTR legislation)					
Type of wood based panel	Formaldehyde rate (class E1, E0,5)	Sub-supplier name	Country	Volume in product (m3)	CARB certified (YES/NO)
ACACIA	E0	VINAFOR	VIET NAM	0,0077	YES

**Note:** E1 is the minimum required, we would be keen to support the use of low formaldehyde emissions wood-based panels such as E0.5

## 6. ECO-Certification for product / Eco-certification produit

	YES/ NO	CoC Code	Certificate validity date	Received (Y/N)
FSC	YES	SGSHK-COC-008224	11/11/2020	Y
PEFC				
Other				

## 7. Documentation / Documentation

DOCUMENTS	Received (Y/N)	Doc Reference and Version
Packaging process	Y	TP - GEX155 'ADDISSON DESK' (11-05-18)
Technical drawings	Y	TD - GEX155 'ADDISSON DESK' (11-05-18)
Assembly instructions	Y	AI - GEX155 'ADDISSON DESK' (11-05-18)

## 8. General comments - Workmanship (including key points to check)

### General

Colour deviation between parts is not accepted.

Les différences de couleur ne sont pas acceptées.

Sharp edges are not accepted.

Les arêtes vives ne sont pas acceptées.

Components must be well dried before being packed to avoid bad finishing and smelling.

Les pièces doivent être bien sèches avant d'être emballées pour éviter les mauvaises finitions et odeurs.

### Wood: general requirements

Black edges knots are not acceptable.

Les nœuds morts ne sont pas acceptés.

### Veneer requirements for visible faces

Minor colour variations accepted & excellent colour matching of all parts.

Clean grain pattern.

Cracks are not accepted

Dark streaks are not accepted.

Whirl and wave formation are not accepted.

No pith rays allowed.

Finish must be smooth and even texture.

No visible glue.

Repairs: Not allowed (plugs of fillers)

Accepted width of the veneer strips 50-80mm.

**Visual qualities**

There must be no obvious defects that detract from the appearance of the product.

Material may not be rough (unless specific texture is required), unfinished or have rough or sharp edges.

Visible particles/contamination in the finish is not allowed.

No running/dribbling in the finish.

No "blueing", craters or orange peel effect.

No rust marks.

No marking on the product from manufacturing; e.g. pencil lines, scribe marks, machining witness marks. Where manufacturing process will inevitably cause marking this should be clearly identified by the supplier and agreed by LA REDOUTE.

Finishes and colour must be consistent across the entire surface. They must also be consistent on other surfaces of a product, other products within a range and from batch to batch.

Where several finishes are used on the same component, there must be no contamination of one finish onto the other (e.g. NO over spray of coloured lacquer onto melamine surface).

Finishes must not be "touched up" to correct defects, (e.g. marker pen or hand painted areas where finish has not covered or has been damaged/chipped).

Coatings must cover the entire surface.

Coatings should not discolour over time – particularly yellowing or fading

**Metal: General requirements**

Burrs around holes, edges and ends are not acceptable, all sharp edges and cutted ends should be well polished.

Smooth welding seams.

No welding sparks allowed on surface around welding seams.

No open pipes allowed

**Powder coating**

All metals must be cleaned, degreased and pre-treated before coating.

Unsmooth finish, craters, orange peel effect or other irregularities must not occur to a greater extent than on the reference sample.

Colour must not be milky or faded.

Coating must be even and consistent.

There should be no blueing – where the metal substrate is showing through.

Type of coating	Minimum thickness
Powder coating	Dry indoor environment 50 µm

**Feet requirements**

To protect the floor, please, provide plastic glides.

**Packaging**

The product shall comply with the LRM - 001

Parts must be separated from corrugated cardboard with single ply card or similar in packaging as contact can cause striped patterns in their surface to avoid that thee parts are marked by the very high pressures created when many cartons are stacked and the vibrations of transportation. Tissue paper, smooth surface single ply card or foam sheet should be used to protect the surface.

**9. Standards & LA REDOUTE Specifications / Normes et Spécifications LA REDOUTE**

The product must comply with NF EN 14749 standards latest edition.

Type of product	Standard	Test Report Nbr.	Laboratory	Issue date

The product shall fulfill the below LA REDOUTE specifications :

LRS - 001 Furniture General Basic requirements

LRS - 002 Surface classification

LRS - 003 Tables - General requirements

LRS - 021 Solid oak – Quality standard for glued solid oak wood panels

LRS - 023 Oak veneer specification

LRS - 030 Laying of veneer sheets

The product shall fulfill the below LA REDOUTE procedures :

LRM - 001 Packaging instructions manual

LRM - 002 Assembly instructions manual

LRM - 003 Care instructions manual

LRM - 004 Technical documentation

LRP - 001 To send samples to LA REDOUTE

## 10. After-sales

The product shall comply with our SAV rules explained in our Quality Manual

**For first delivery of new products, 5 fitting bags are mandatory provided by supplier. Without this, the delivery can be blocked at reception.**

## 11. Global status (List of all the requested documentations/infos about the product)

Requested Fields	STATUS	
	Pass	Pending
2. Packaging	YES	
3. Labelling and Marking	YES	
4. Product informations	YES	
5. Materials	YES	
6. ECO certification	YES	
7. Documentation	YES	
8. General comments / Workmanship	YES	
9. Standards and LA REDOUTE Specifications	YES	
10. After-sales requirements	YES	
<b>OK FOR SHIPMENT</b>	<b>YES</b>	

Signed		<b>The supplier confirms hereby to meet the requirements stated in this document. All product supplied to LA REDOUTE must be safe and also comply with all specifications, laws and standards indicated above. No rectifications could be made on item, packaging, assembling instructions without prior agreement of LA REDOUTE Quality department.</b>
Position		
Date		

**GEX155 - ADDISSON DESK**



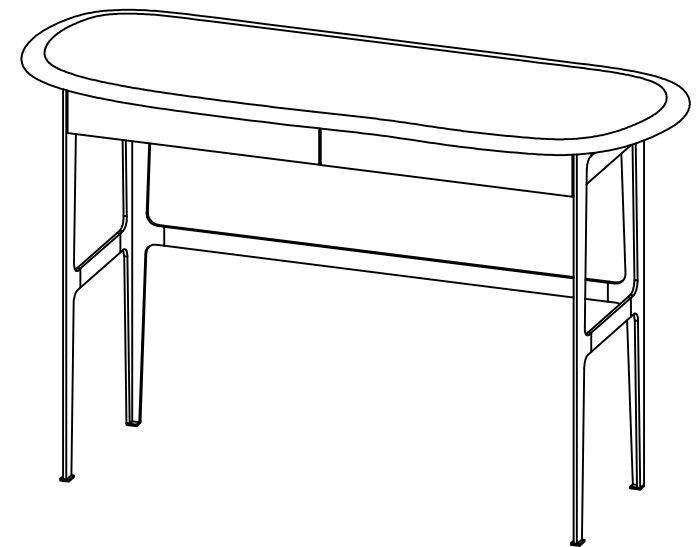
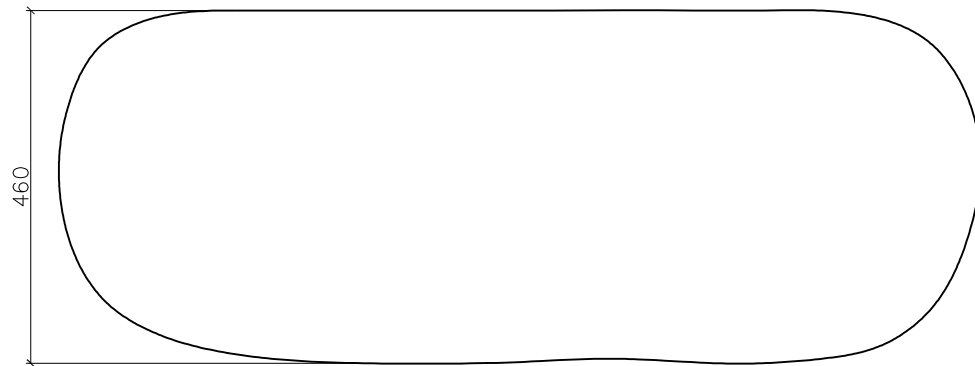
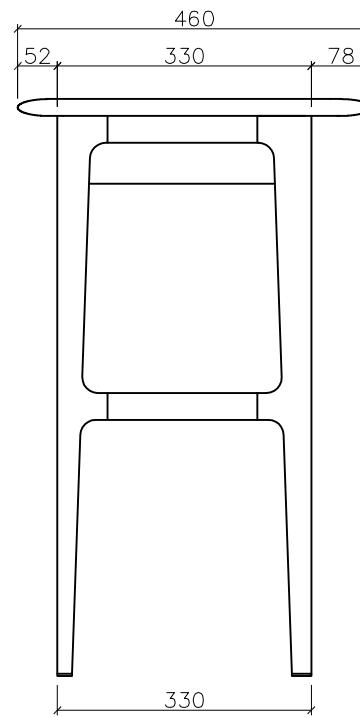
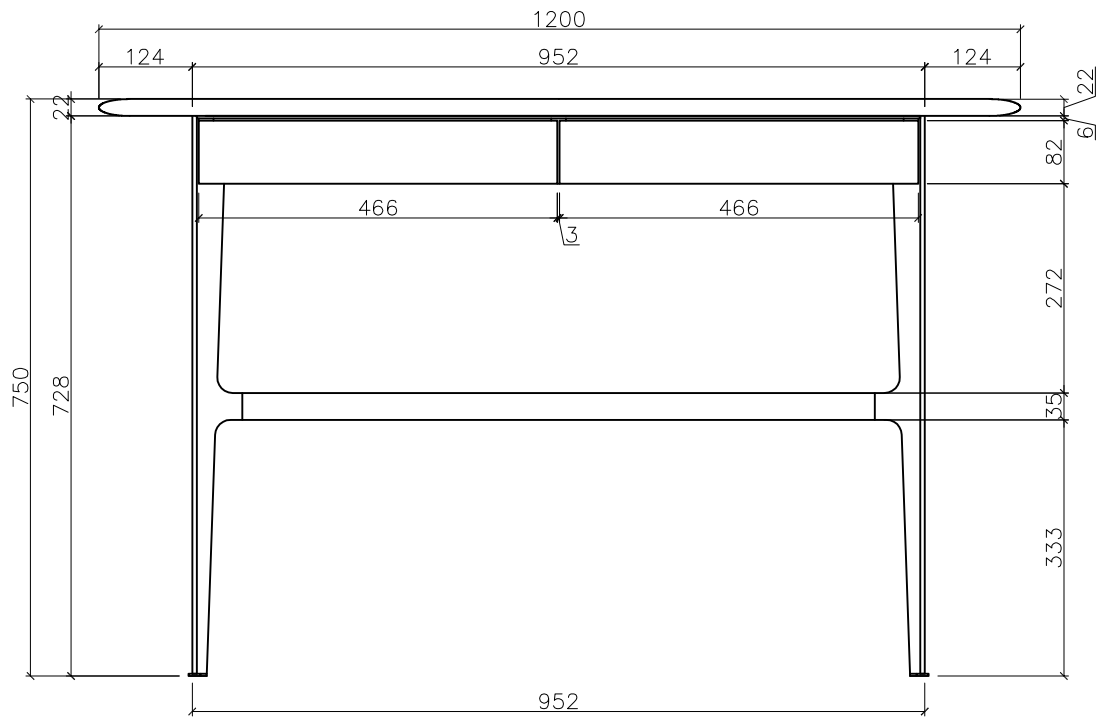
**Size carton 1/1: 1300x540x860Hmm, N:W: 28 Kg, G:W: 35.5Kg**











<b>GOMO.vn</b>	<b>GEX155</b>	<b>ADDISSON DESK</b>	Drawer / Người Vẽ: Trịnh Hoài Vũ	Date / Ngày	11/05/18	Size Paper / Khổ Giấy: A4	Revision Date / Ngày Sửa
	<b>LA REDOUTE</b>		Checked by / Kiểm Tra:	Date / Ngày		Unit / Đơn Vị Đo: mm	⚠
Confidential, property of GOMO.vn all rights reserved	Dimension / Kích Thước Sản Phẩm: 1200x460x750Hmm	Material / Vật Liệu: Solid Oak + Mdf Veneer Oak + Metal Gun finish	Approved by / Duyệt	Date / Ngày		Third Projection / Hướng Chiếu Thứ 3	⊙ ▢ ⚠
			Drawing .No / Bản Vẽ Số_ 1 / 1	Scale / Tỷ Lệ	1:10		