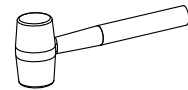
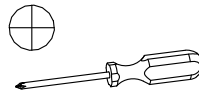
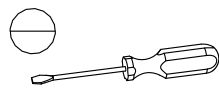
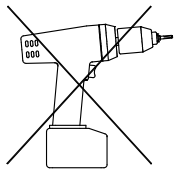
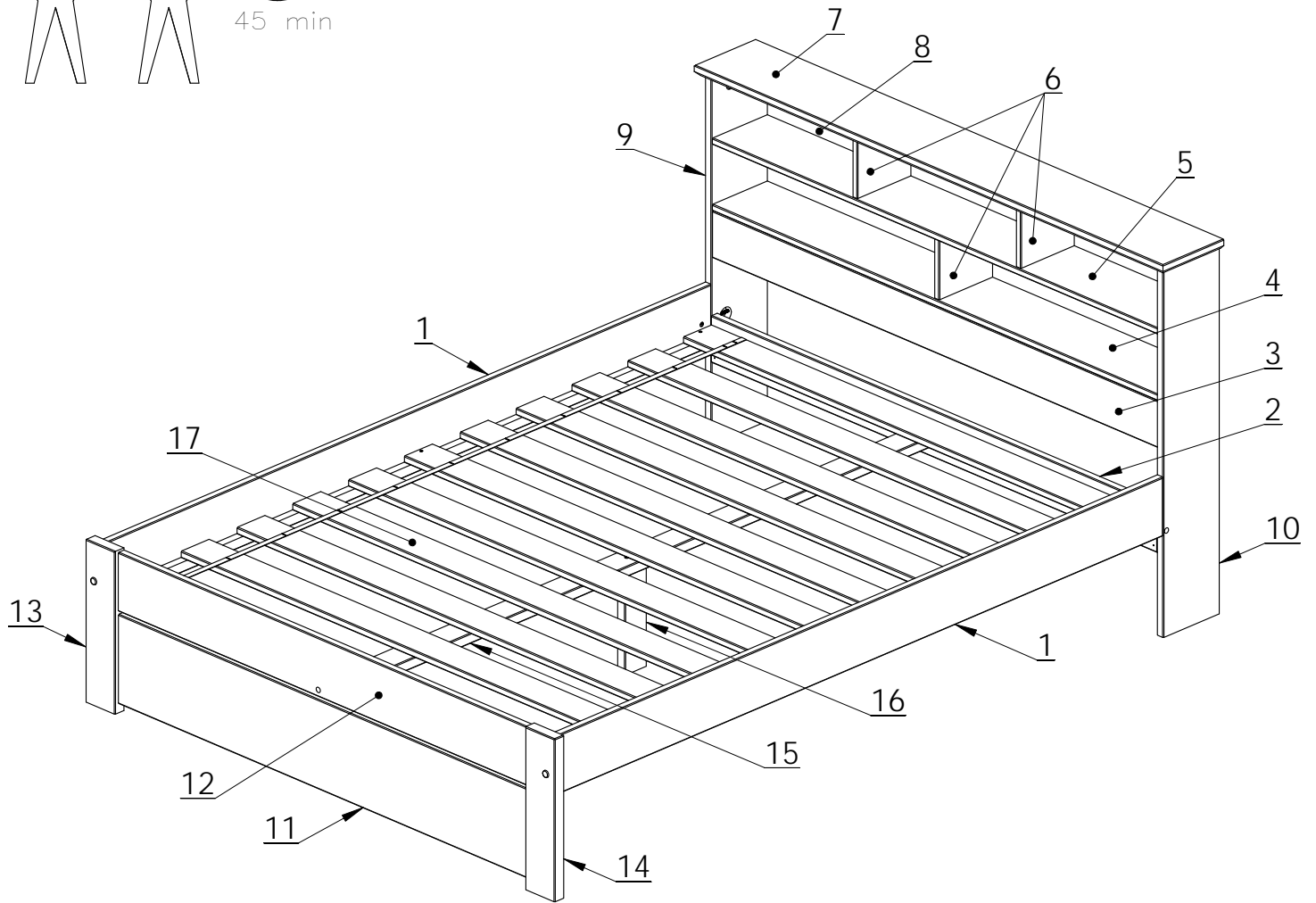
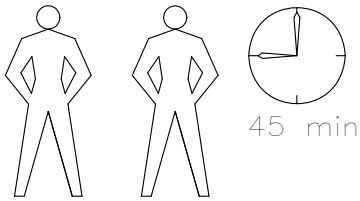
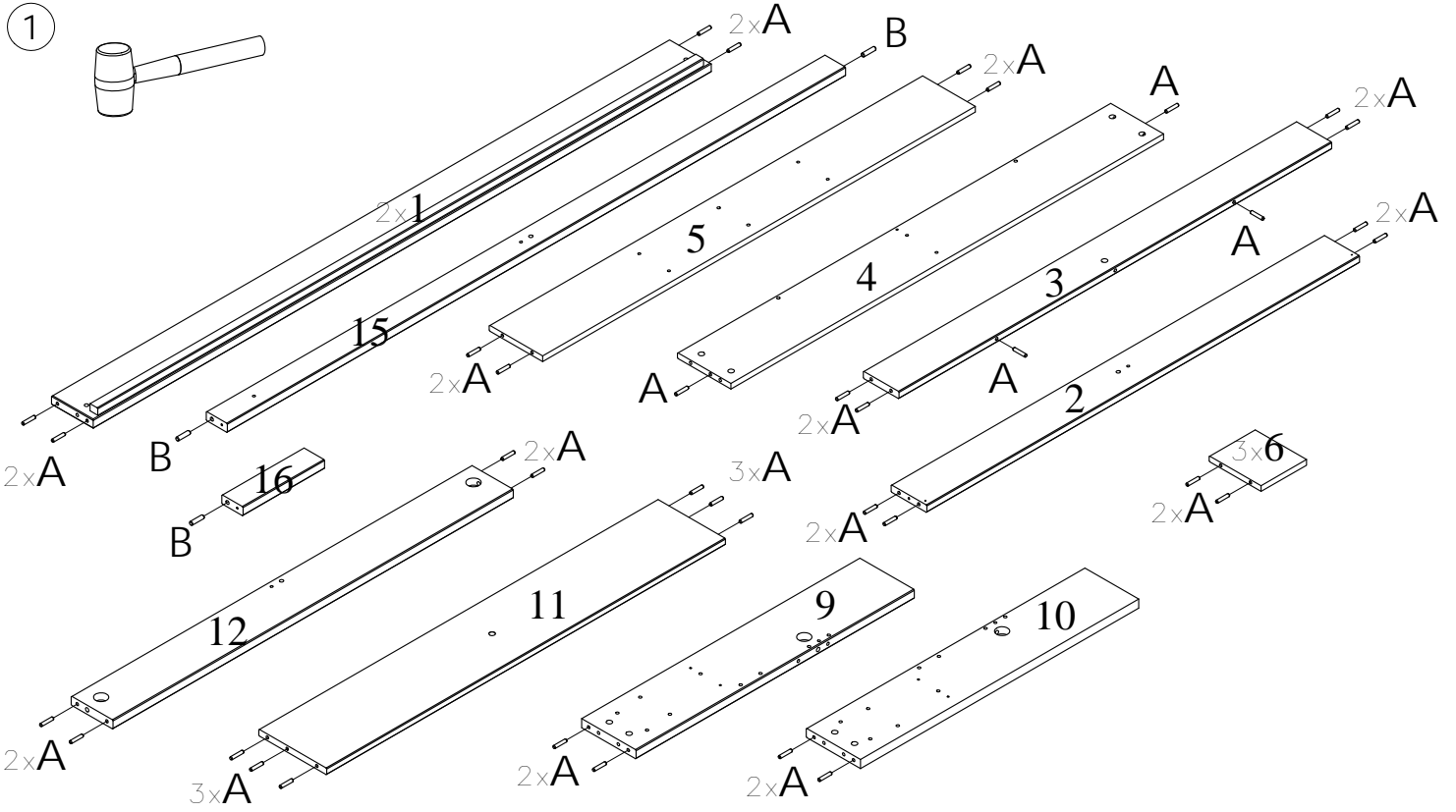


NOTICE DE MONTAGE

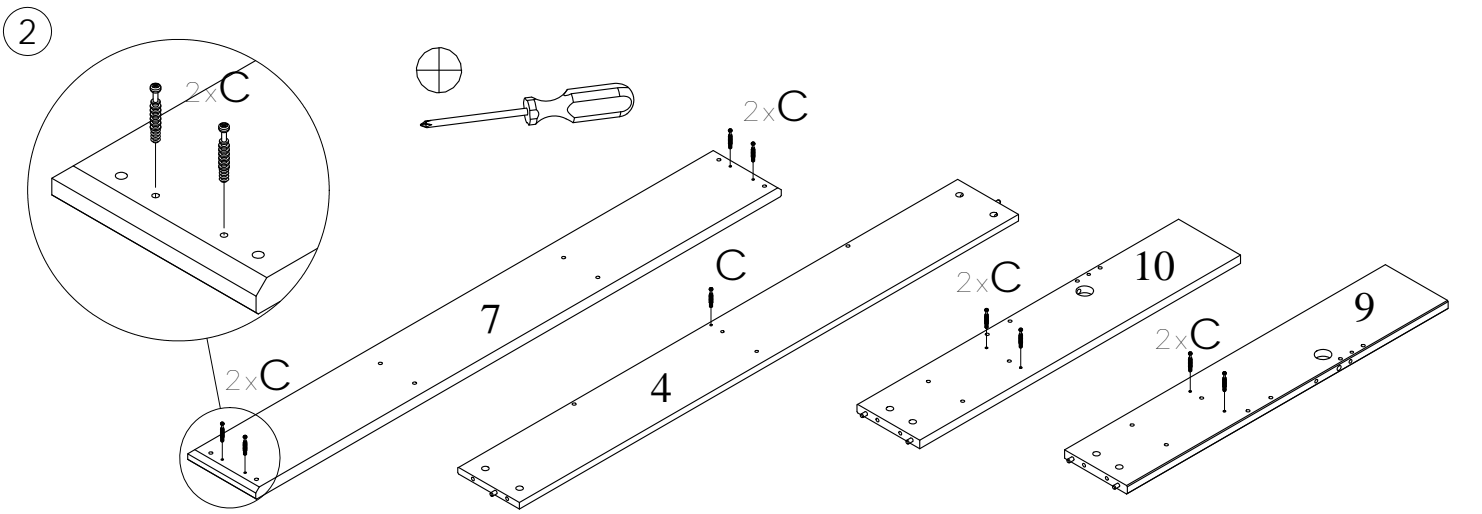


A		8x40	x44
B		10x40	x3
C		7x34	x9
D		15x12	x9
E		7x50	x6
F		7x60	x7
G		D35	x4
H		M6x10x13	x4
J		M6x65x10	x2
K		M6x65	x2

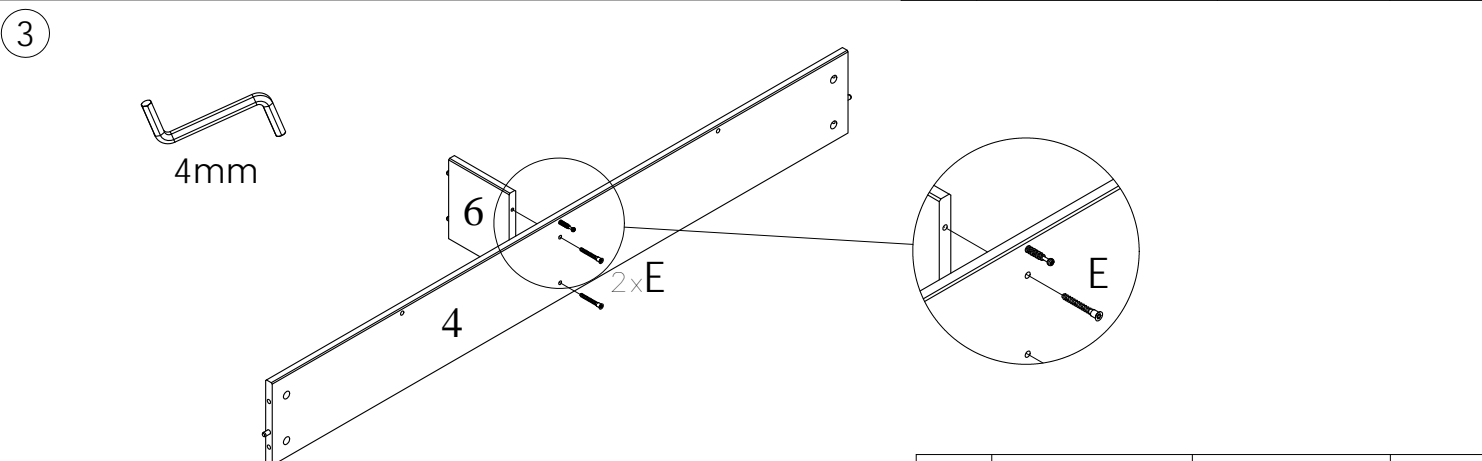
L		1,6x16	x25
M		3,5x40	x6
N		D15x18	x2
P		D15	x4
Q		D4x13	x3
R		4mm	x1
S			x1



A		8x40	x44	B		10x40	x3
---	--	------	-----	---	--	-------	----

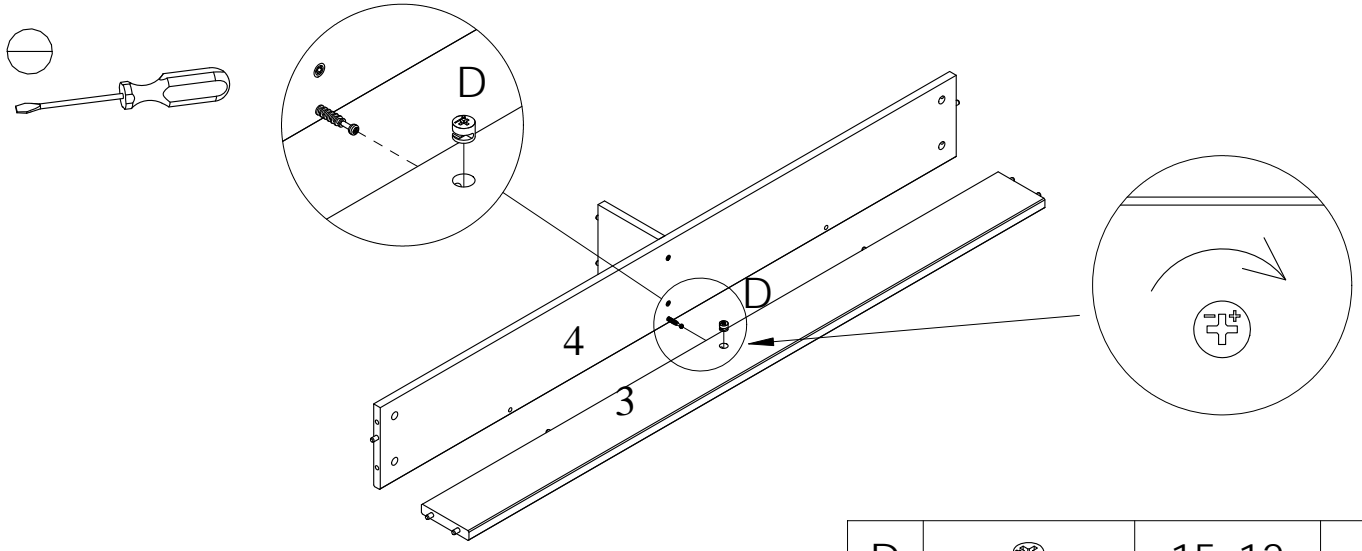


C		7x34	x9
---	--	------	----



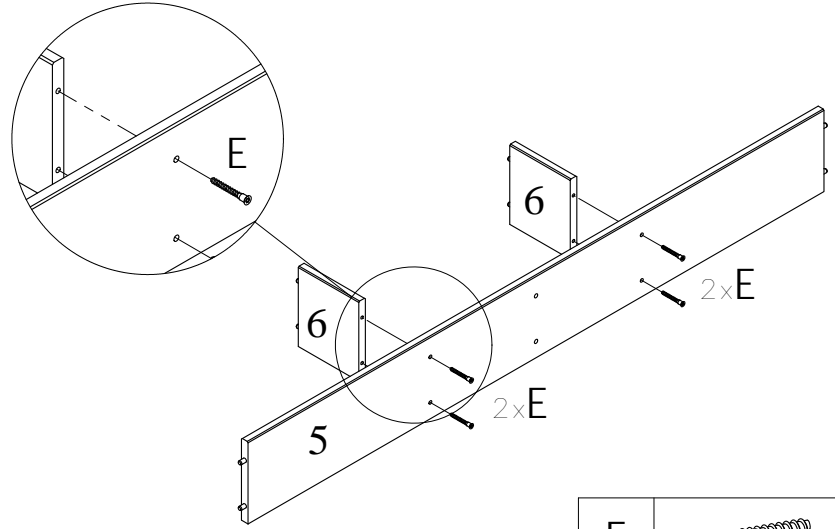
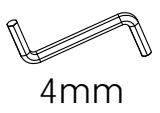
E		7x50	x2
---	--	------	----

4



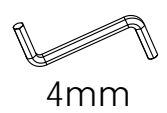
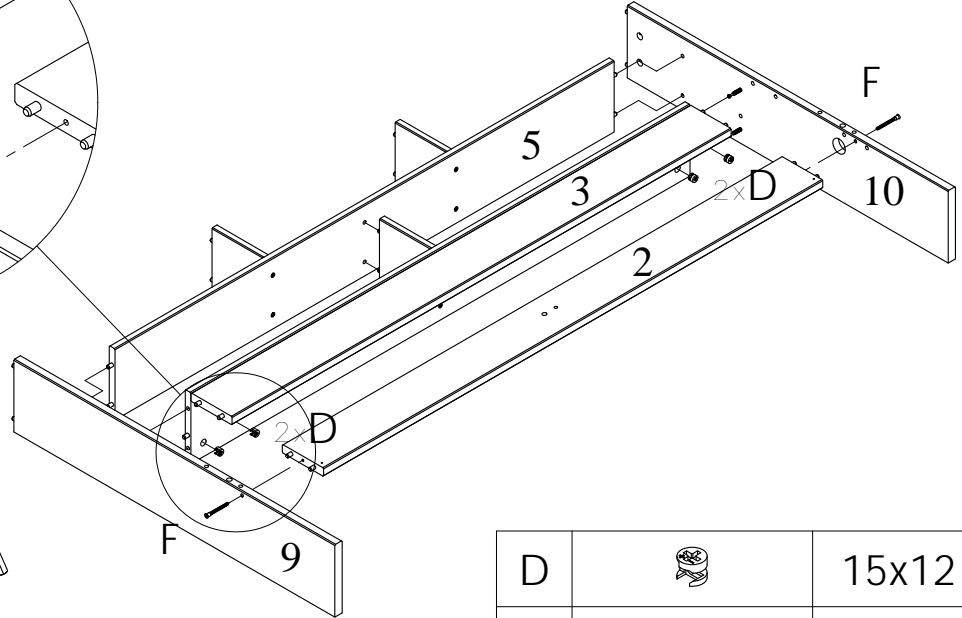
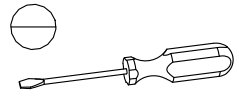
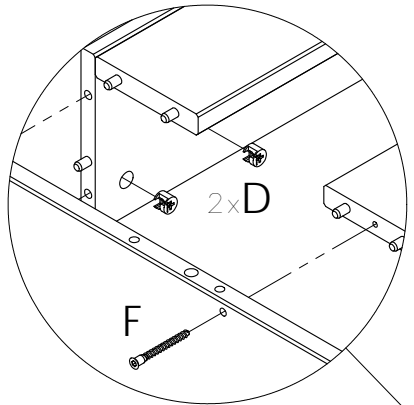
D		15x12	x1
---	---	-------	----



5



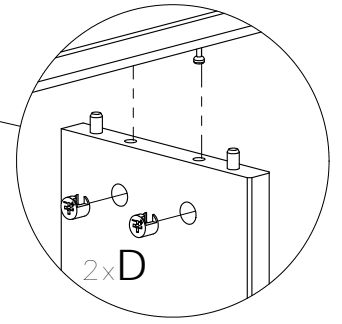
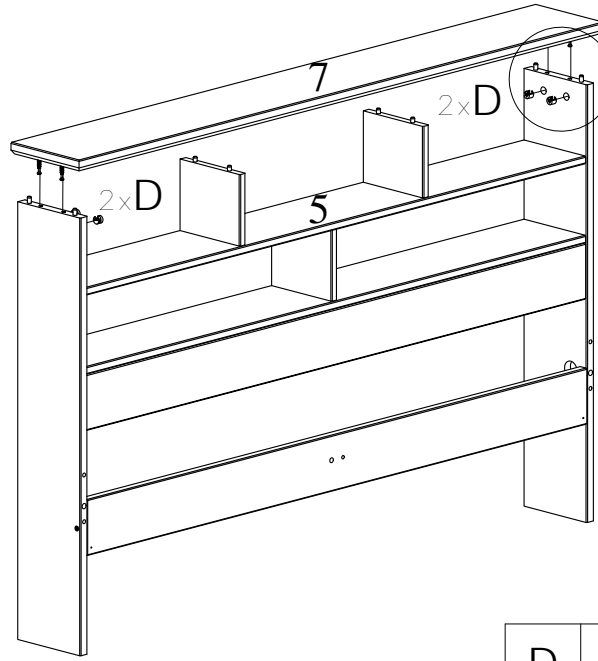
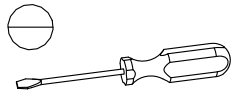
E		7x50	x4
---	---	------	----

6



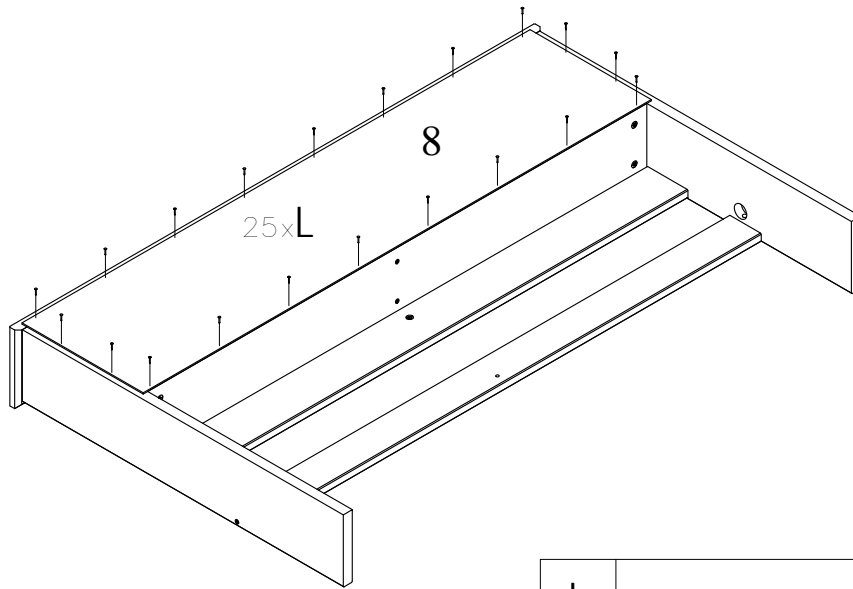
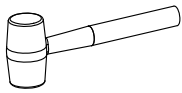
D		15x12	x4
F		7x60	x2

7



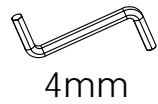
D		15x12	x4
---	--	-------	----

8

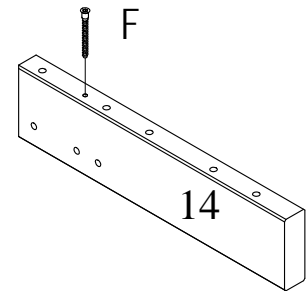
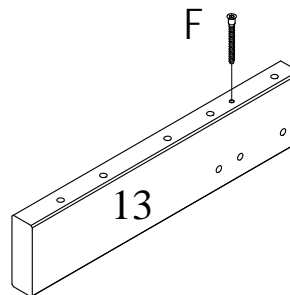
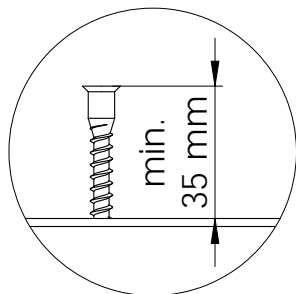


L		1,6x16	x25
---	--	--------	-----

9

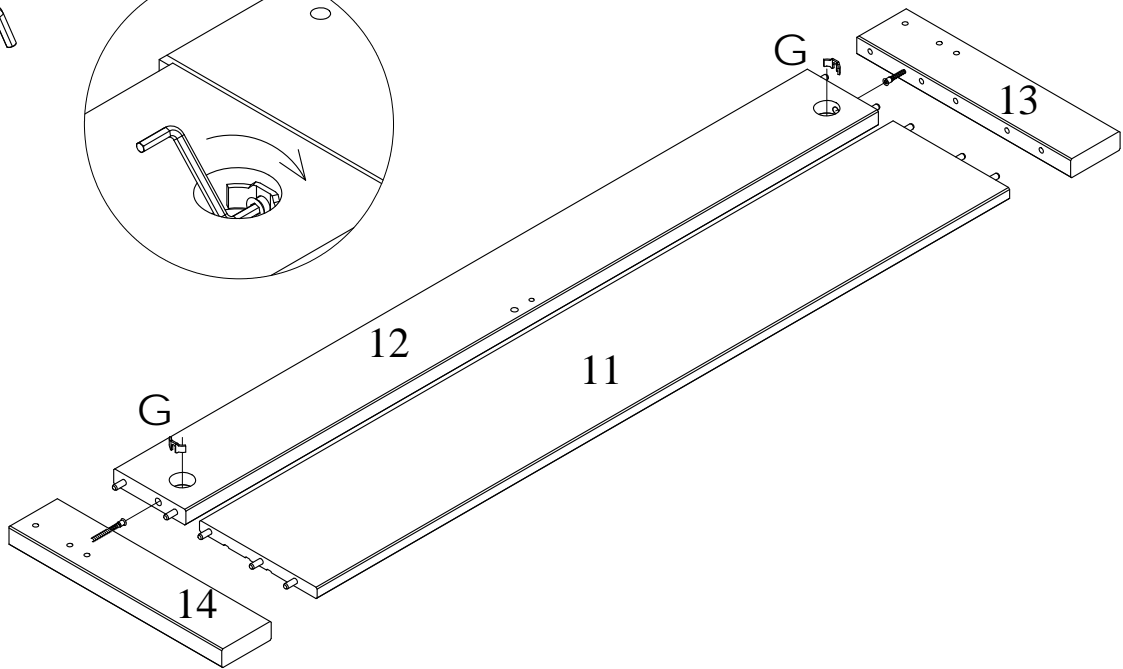
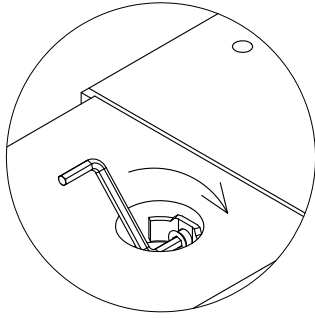
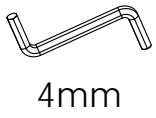


4mm



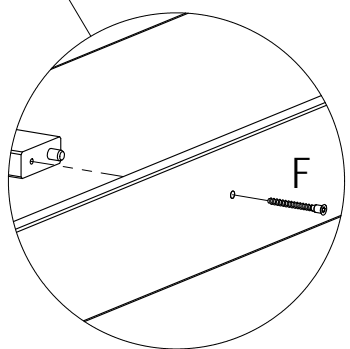
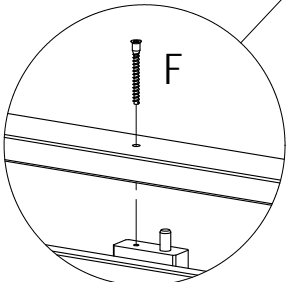
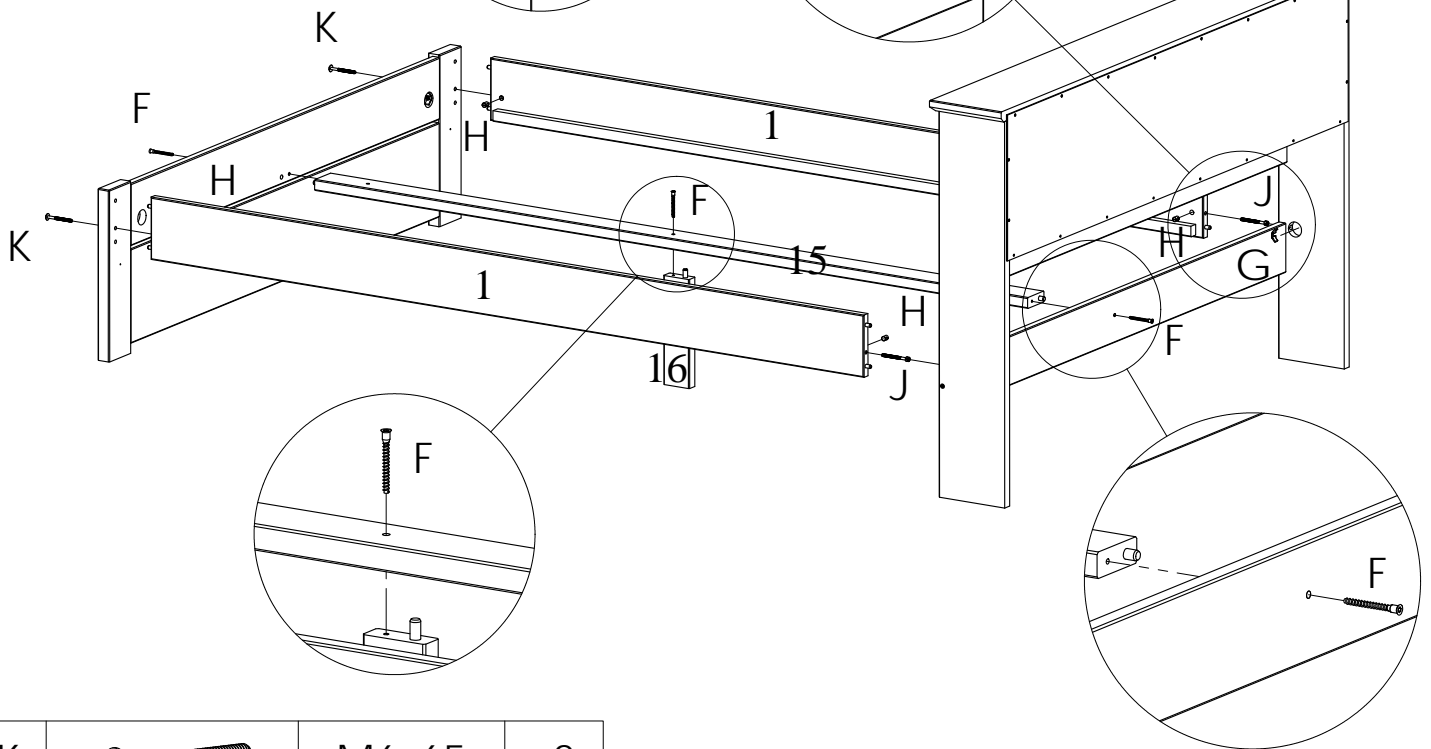
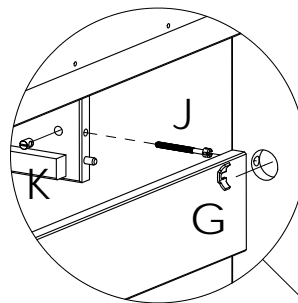
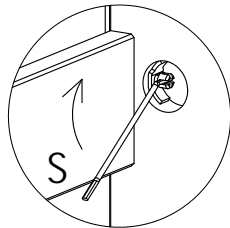
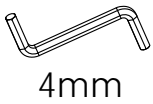
F		7x60	x2
---	--	------	----

10



G		D35	x2
---	--	-----	----

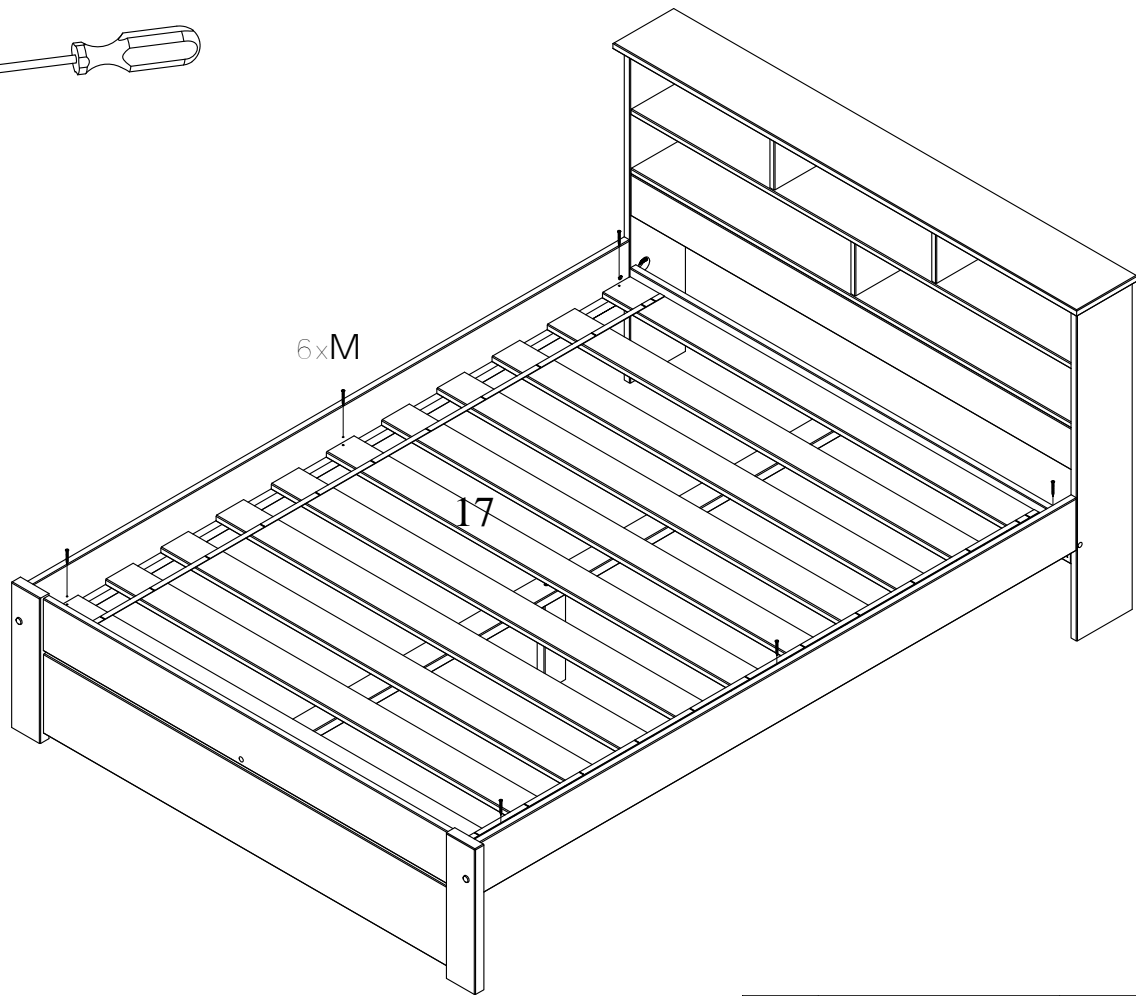
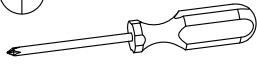
11



K		M6x65	x2
J		M6x65x10	x2
H		M6x10x13	x2

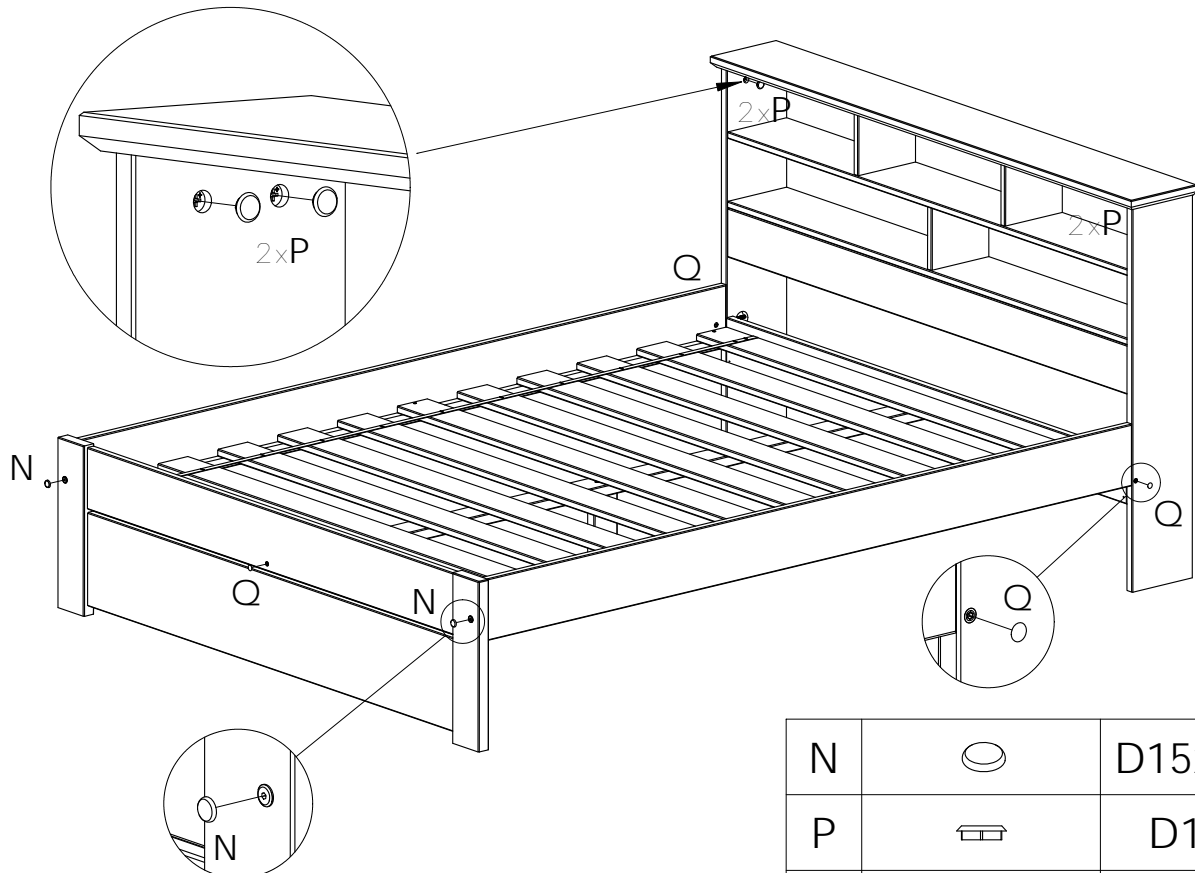
G		D35	x2
F		7x60	x3

12



M		3,5x40	x6
---	--	--------	----

13



N		D15x18	x2
P		D15	x4
Q		D4x13	x3