

NOTICE DE MONTAGE / ASSEMBLY INSTRUCTIONS

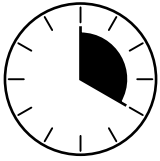
Ref:GJC544(P0517)

NOTICE DE MONTAGE/ ASSEMBLY INSTRUCTIONS

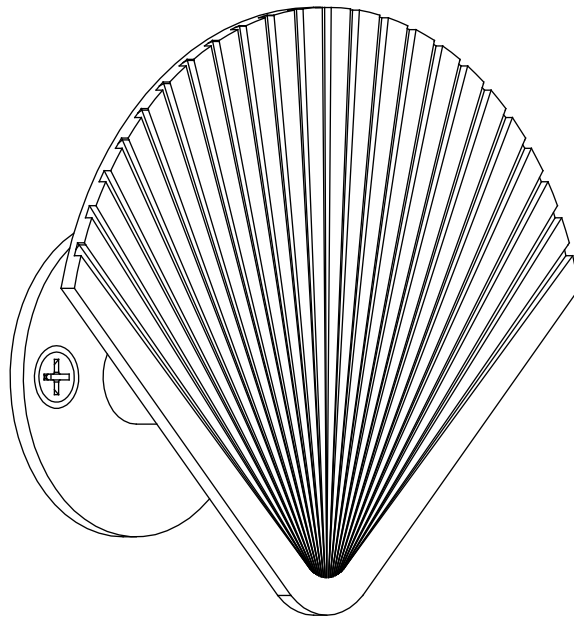
Conserver l'emballage pour information - Informations à conserver / Keep the packaging for information - Keep this information for future reference



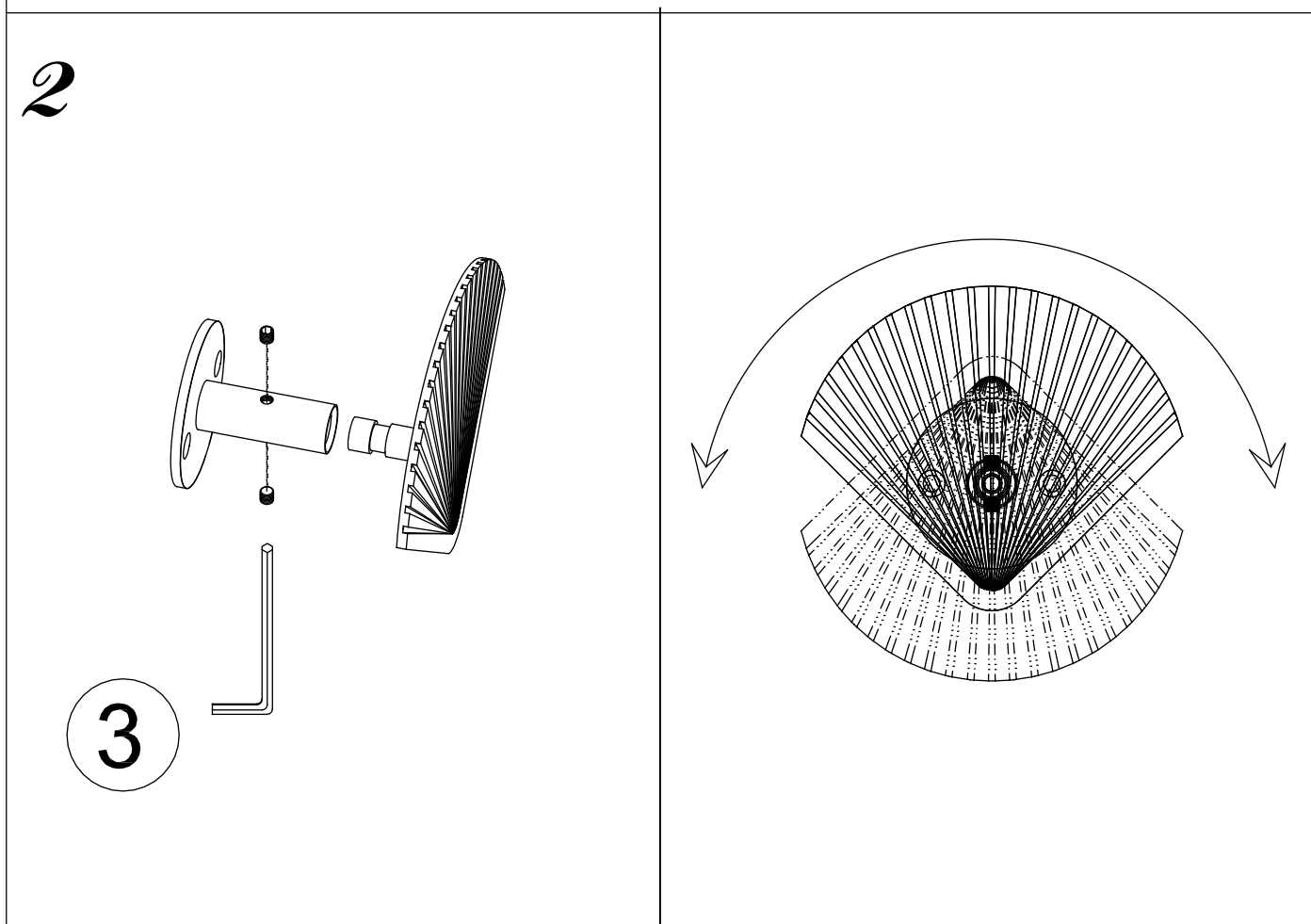
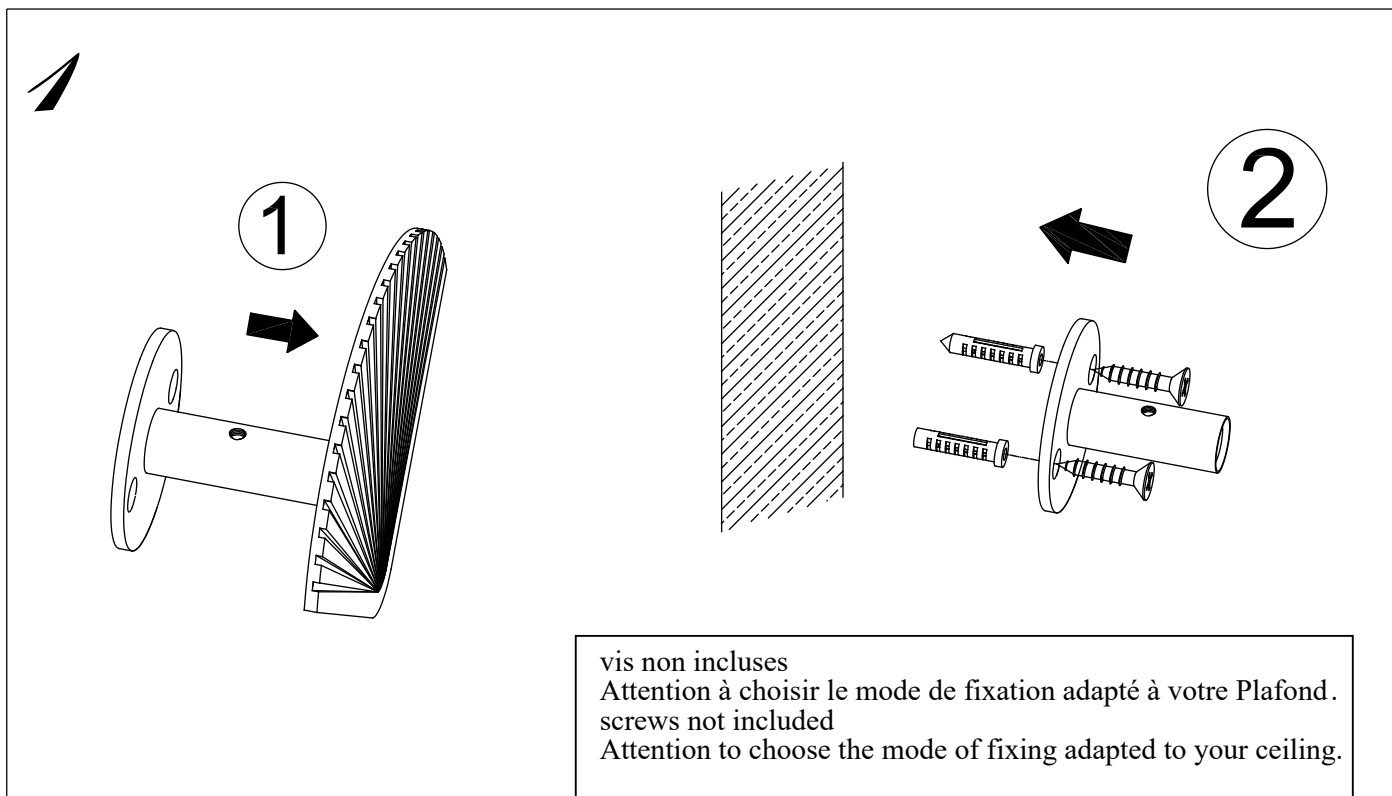
1



20 min



NOTICE DE MONTAGE / ASSEMBLY INSTRUCTIONS



EAN: 3614853399524PE21

EAN: 3614853399524AH21