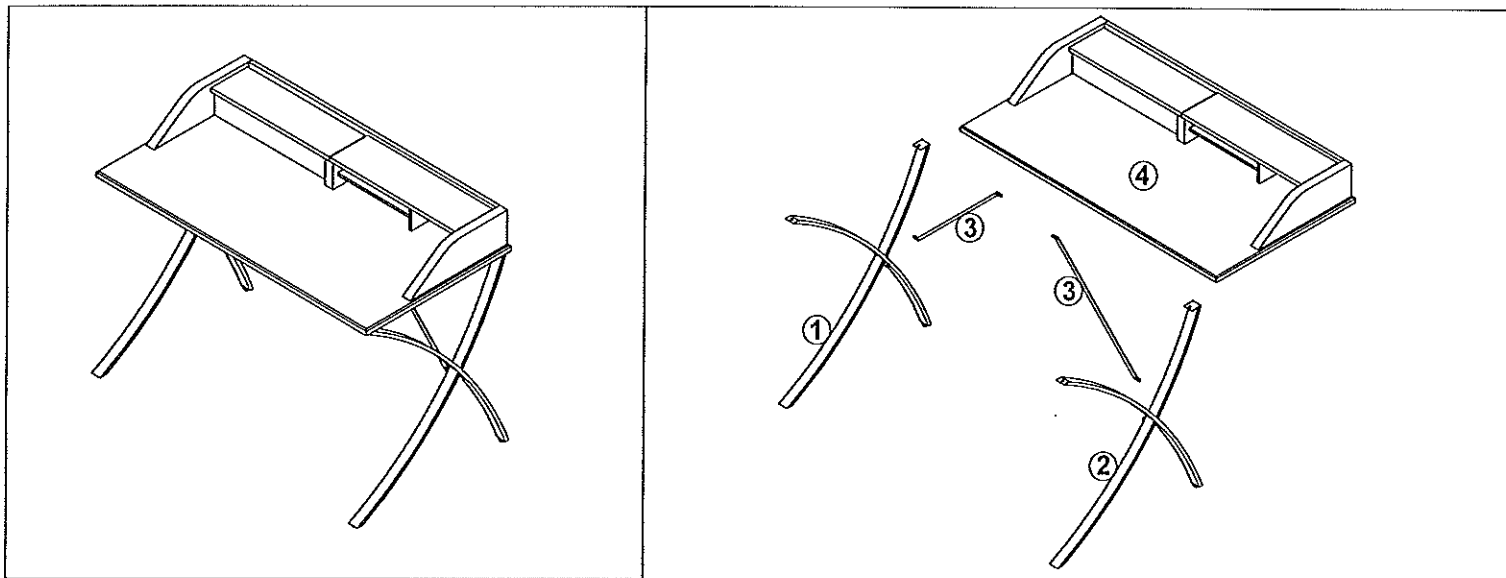







# NOTICE DE MONTAGE

## 286.4908 - CD744 - TABLE 121X65X88



<b>A</b>		x 6
<b>B</b>		x 2
<b>C</b>		x 2
		x 1
		x 2

