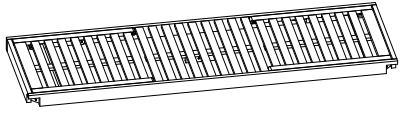


# ASSEMBLY INSTRUCTIONS

## STEP 1:



A x 1



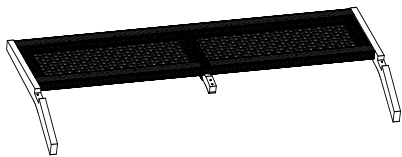
B x 1



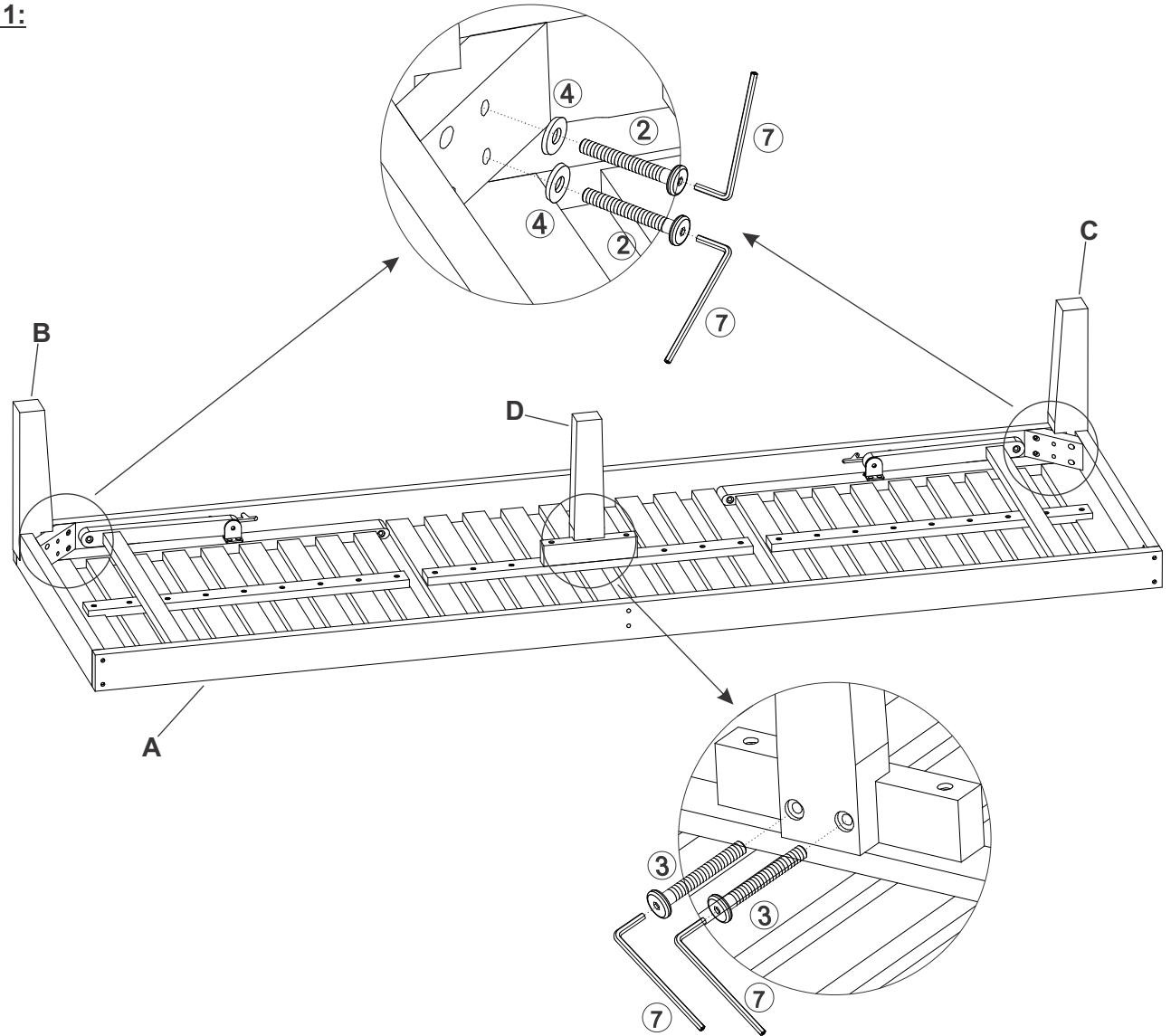
C x 1



D x 1



E x 1



1  x4

M6x90

2  x6

M6x50

3  x2

M6x30

4  x4


D6.5/16x2

5  x4

M6x13

6  x1

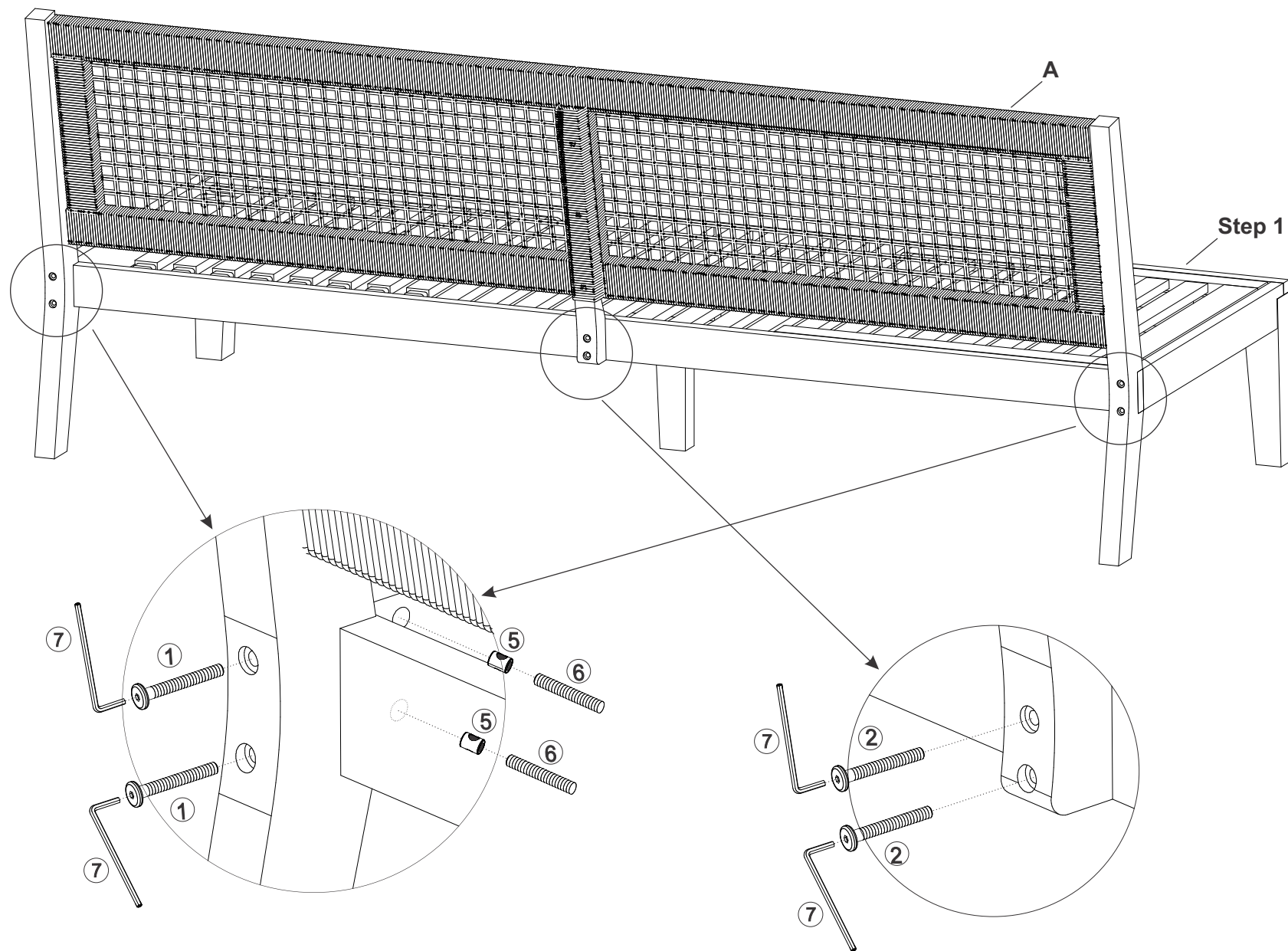
M6x45

7  x1

4x75

# ASSEMBLY INSTRUCTIONS

## STEP 2:



# ASSEMBLY INSTRUCTIONS

