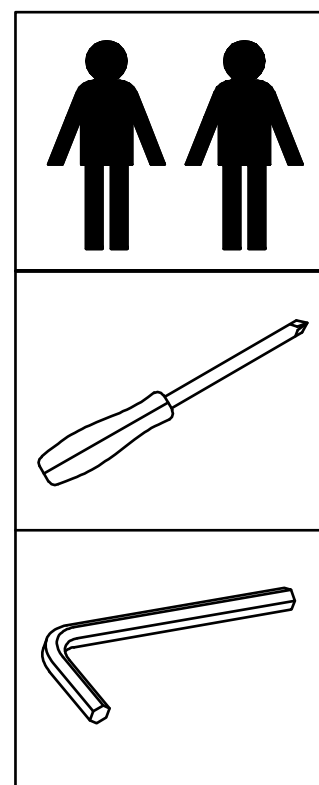
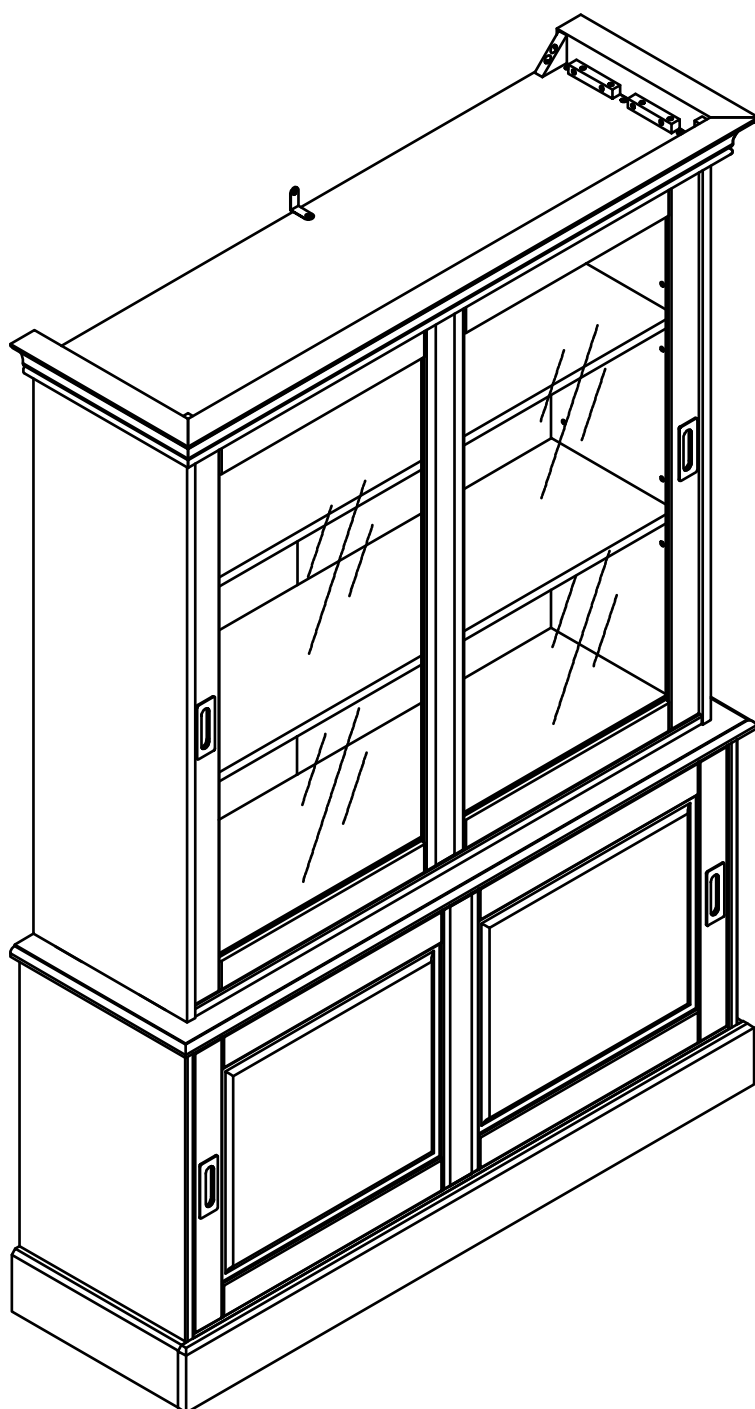
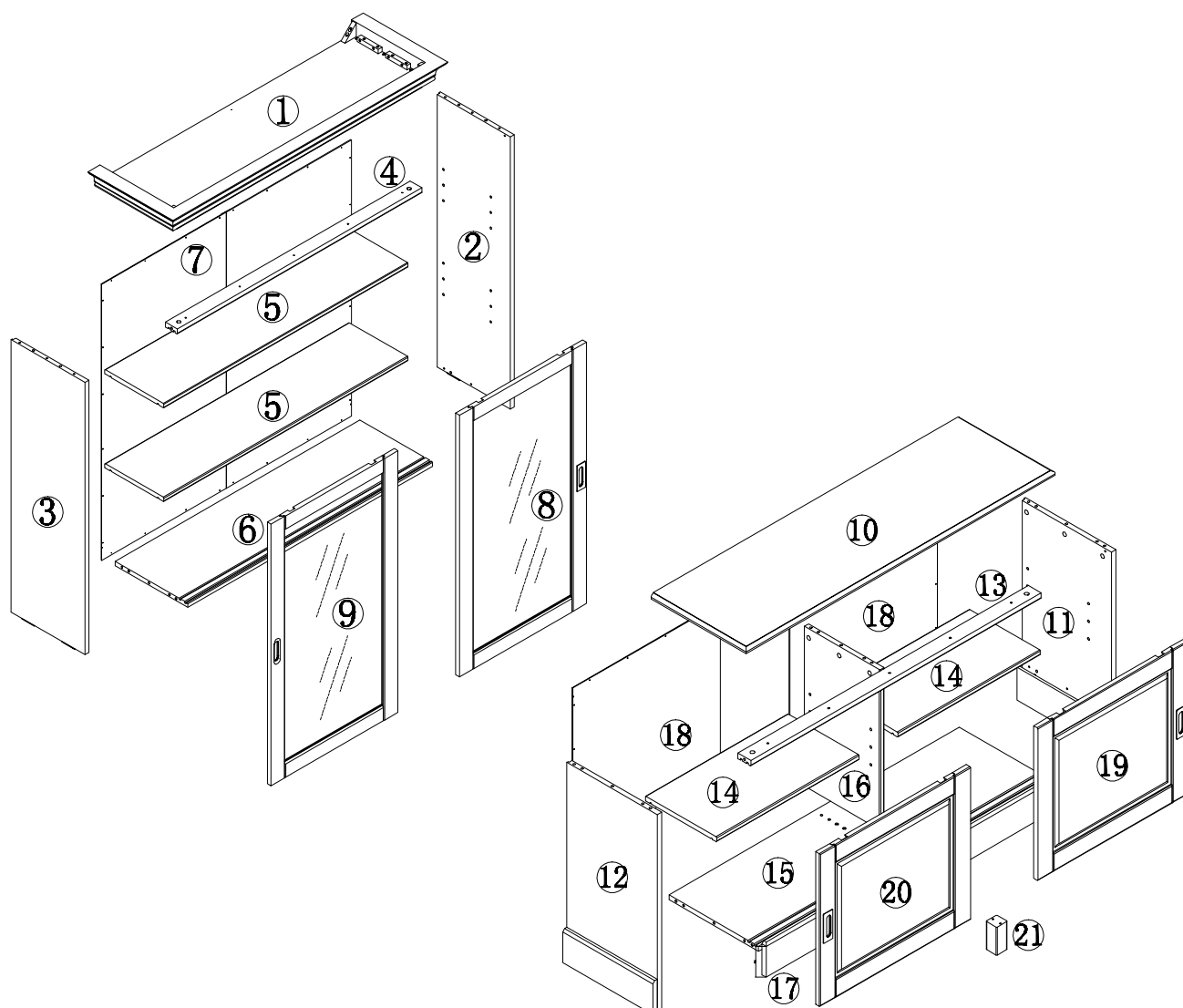


513, 5672

# NOTICE DE MONTAGE





A×25  
(D15)



B×25  
(D15)



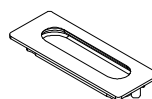
C×20  
(D8X30)



D×16  
(D6X17)



E×5  
(M3.5×15)



F×4



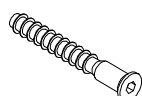
G×8



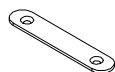
H×56  
(M3×15)



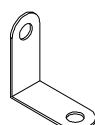
I×14  
(M4×30)



J×11  
(M7×40)



K×2



L×1



M×1



N×6  
(M4×25)



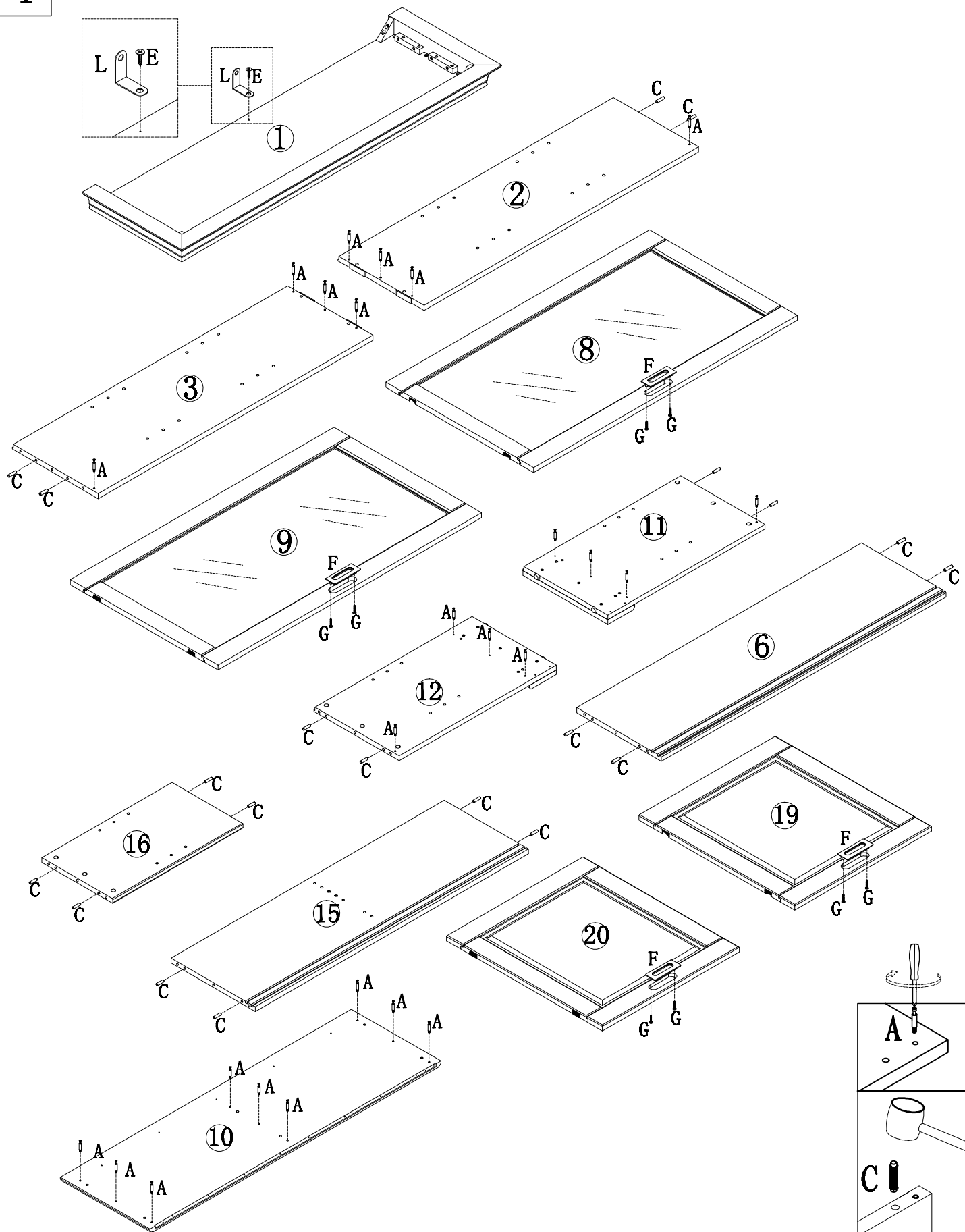
O×4  
(D4×9)


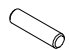



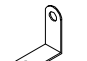
# LA REDOUTE

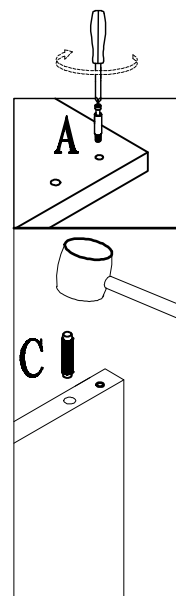
2/12

REPERES	DIMENSIONS(MM)	METERIAL	QTE	kg	cube(m <sup>3</sup> )
1	1300×405×75	pine+MDF	1	11.764	0.0395
2	1115×350×18	MDF	1	5.6196	0.0070
3	1115×350×18	MDF	1	516196	0.0070
4	1157×57×20	pine	1	0.726	0.0013
5	1154×280×18	MDF	2	9.3059	0.0116
6	1157×343×18	MDF	1	5.7147	0.0071
7	1131×1180×3	MDF	1	3.203	0.0040
8	1071×600×18	pine	1	2.112	0.0115
9	1071×600×18	pine	1	2.112	0.0115
10	1300×400×18	MDF	1	7.488	0.0094
11	702×380×36	pine+MDF	1	4.2914	0.0096
12	702×380×36	pine+MDF	1	4.2914	0.0096
13	1221×57×20	pine	1	0.765	0.0013
14	598.5×300×18	MDF	2	5.171	0.0065
15	1221×376×18	MDF	1	6.611	0.0083
16	585×318×18	MDF	1	2.6788	0.0033
17	1295×120×36	pine	1	6.182	0.0055
18	610×621×3	MDF	2	1.8183	0.0023
19	633×556×18	pine+MDF	1	3.6555	0.0063
20	633×556×18	pine+MDF	1	3.6555	0.0063
21	102×45×45	pine	1	0.1136	0.0002

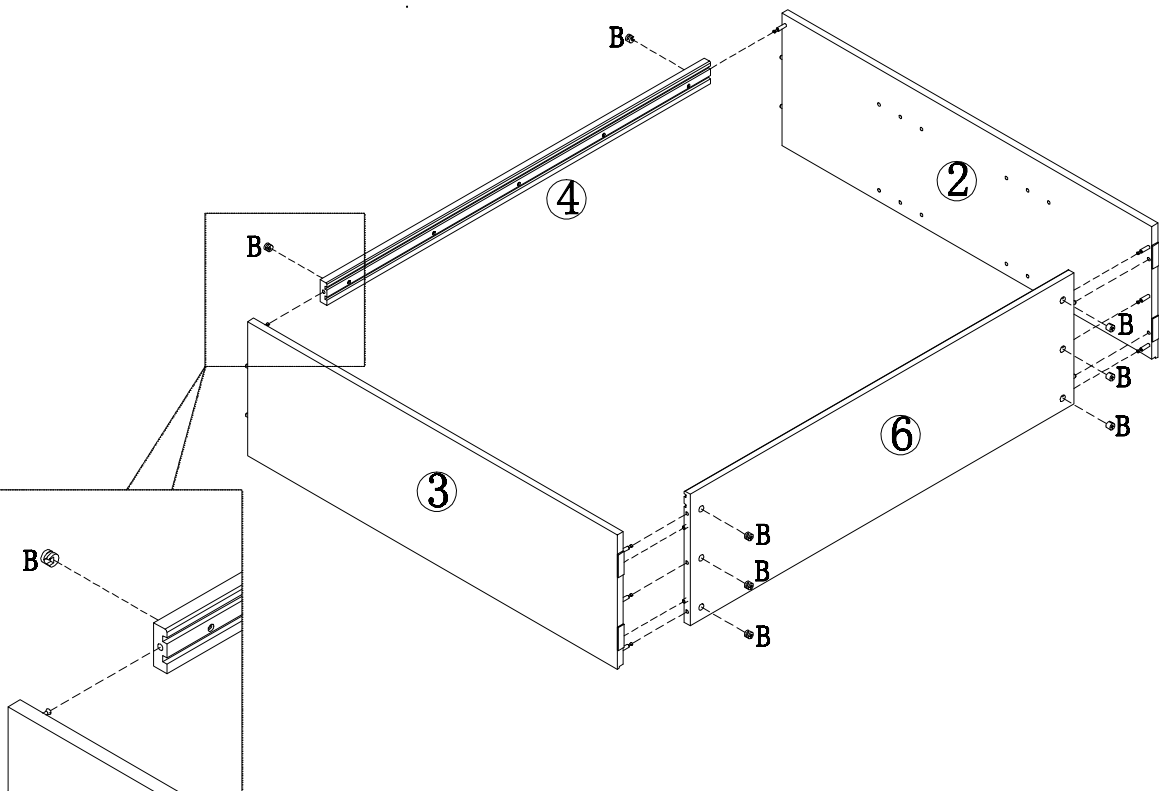
1



					
A×25	C×20	E×1	F×4	G×8	L×1

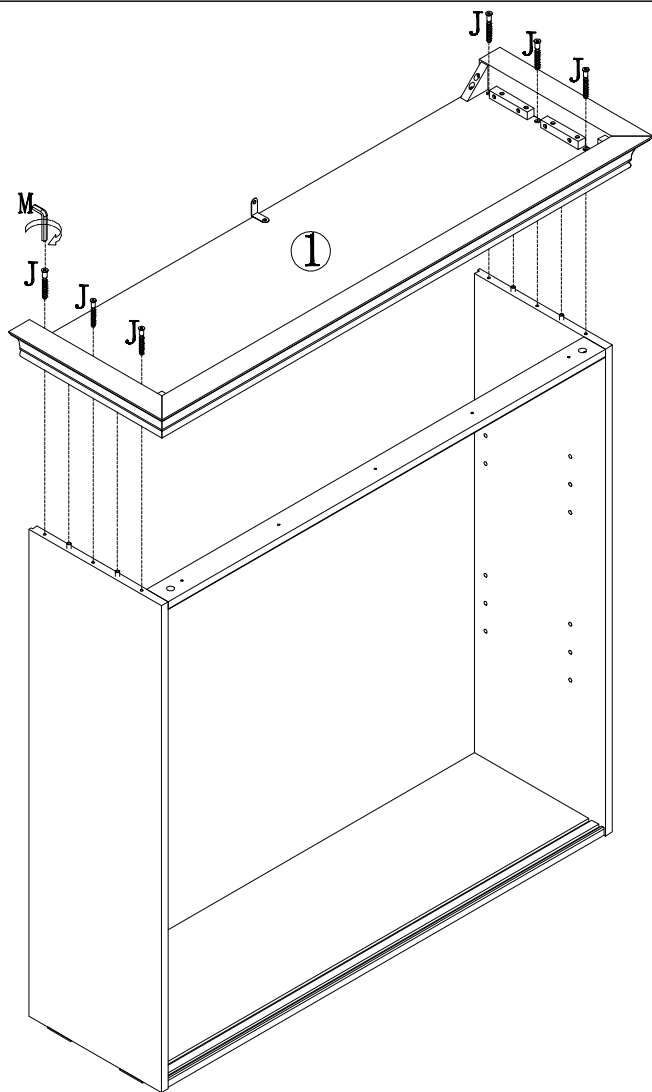


2



B x 8

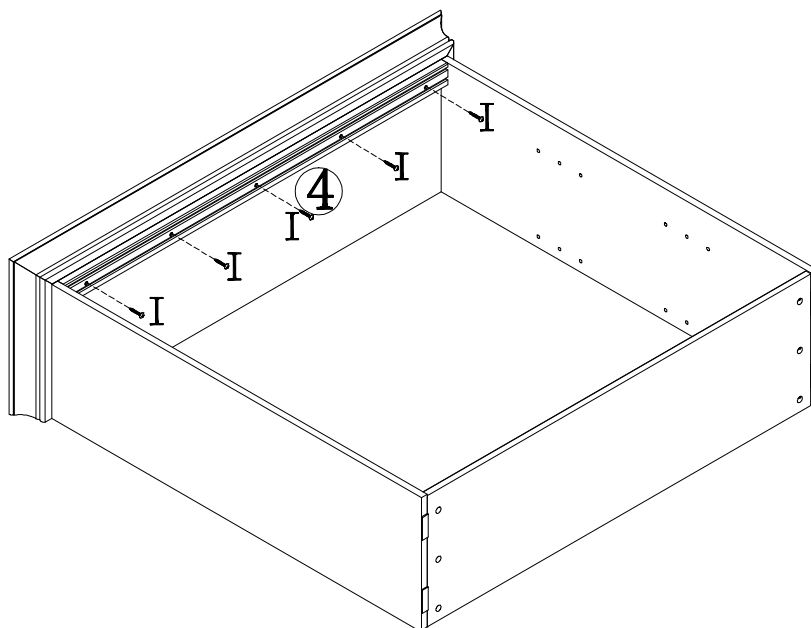
3



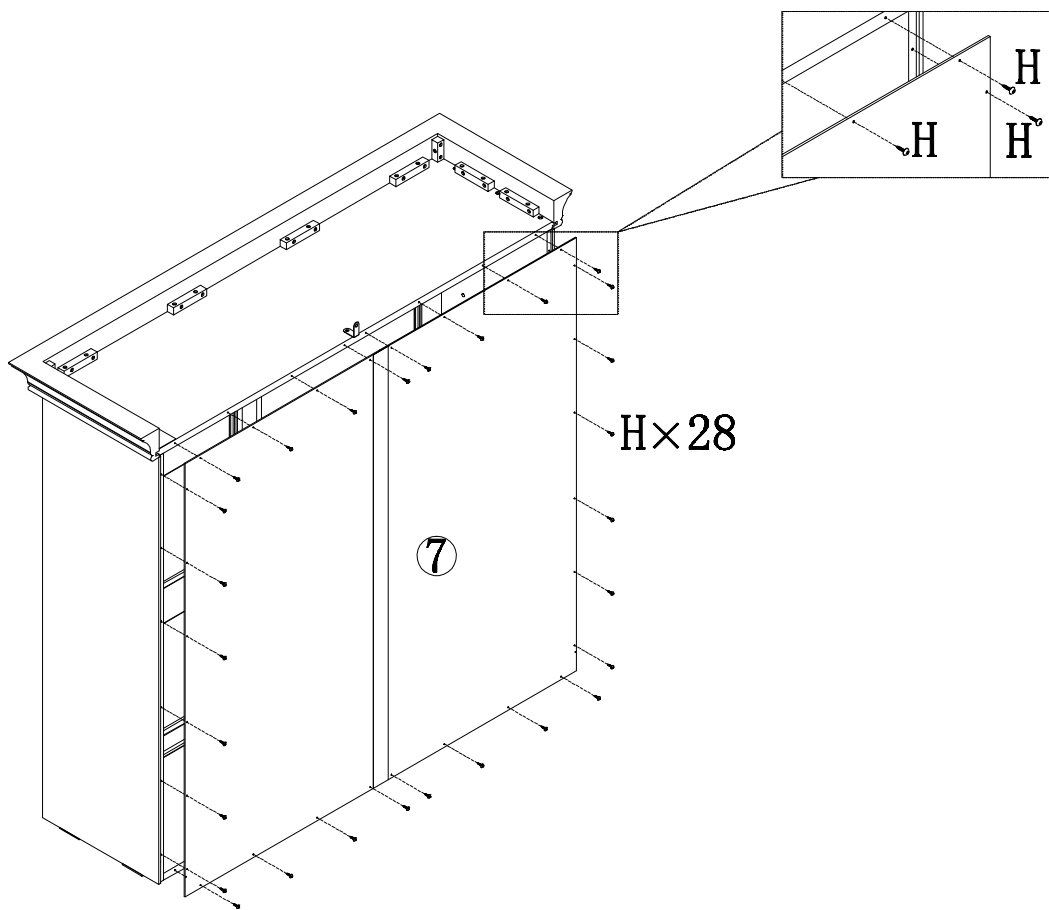
M x 1

J x 6

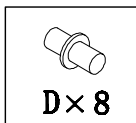
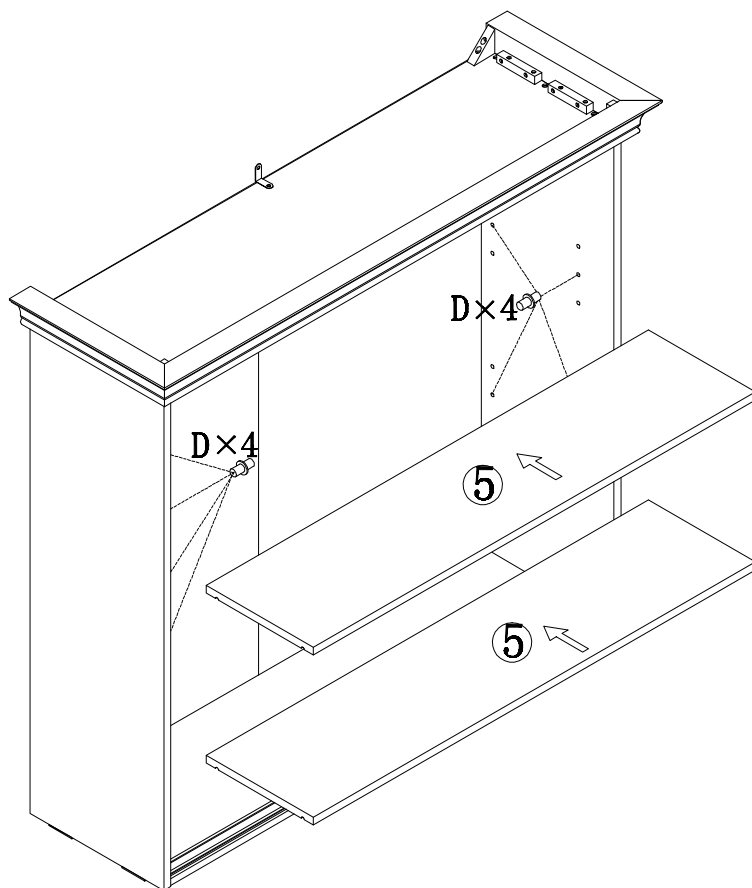
4



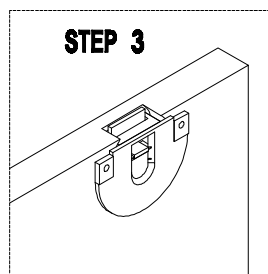
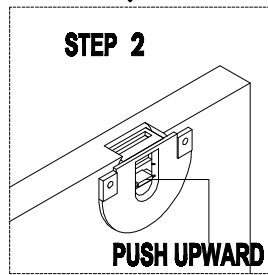
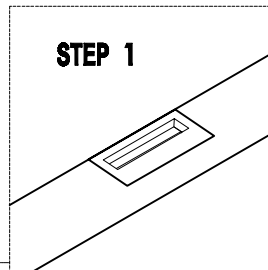
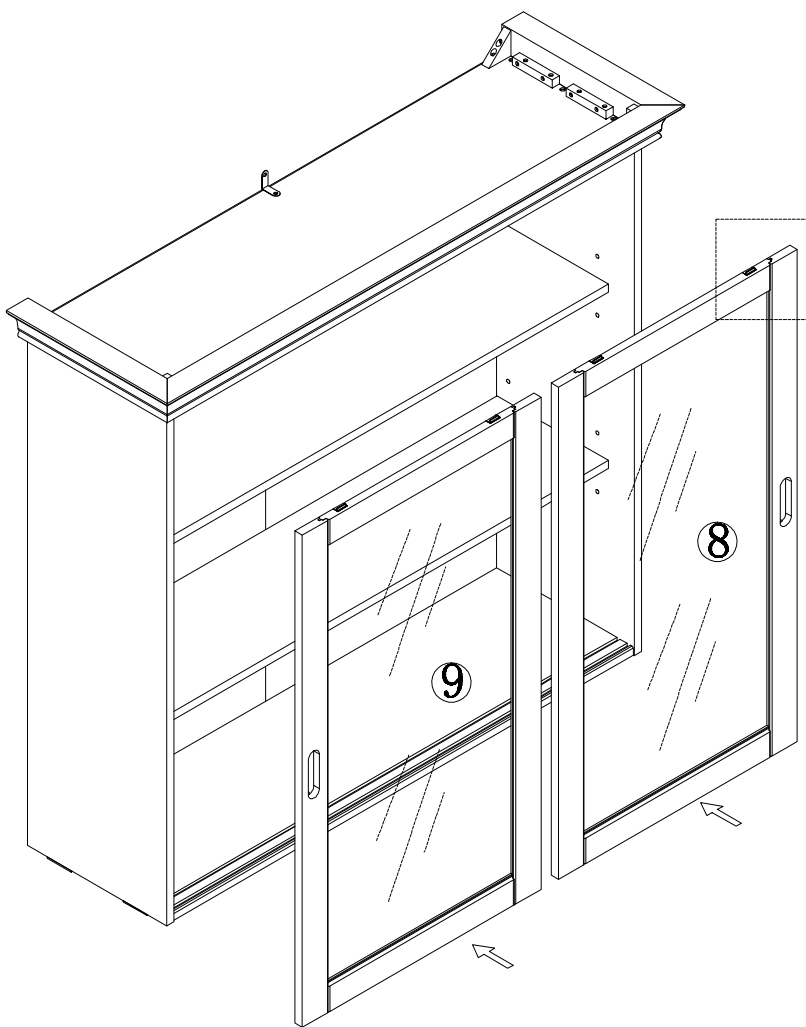
5



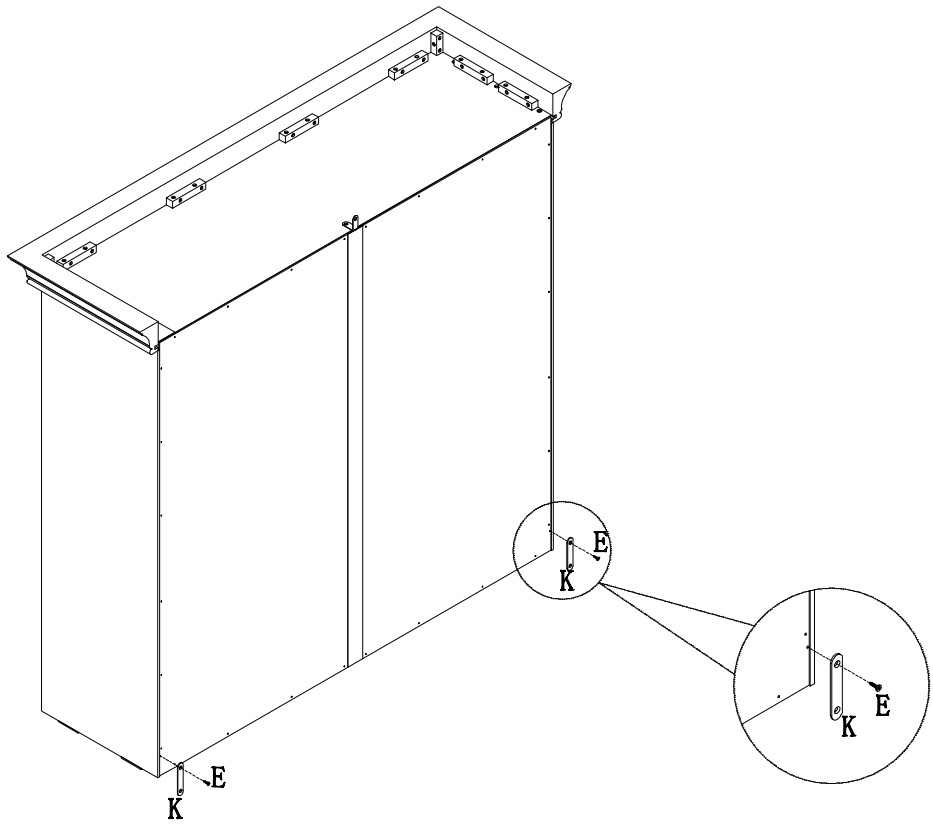
6

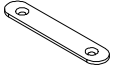



7

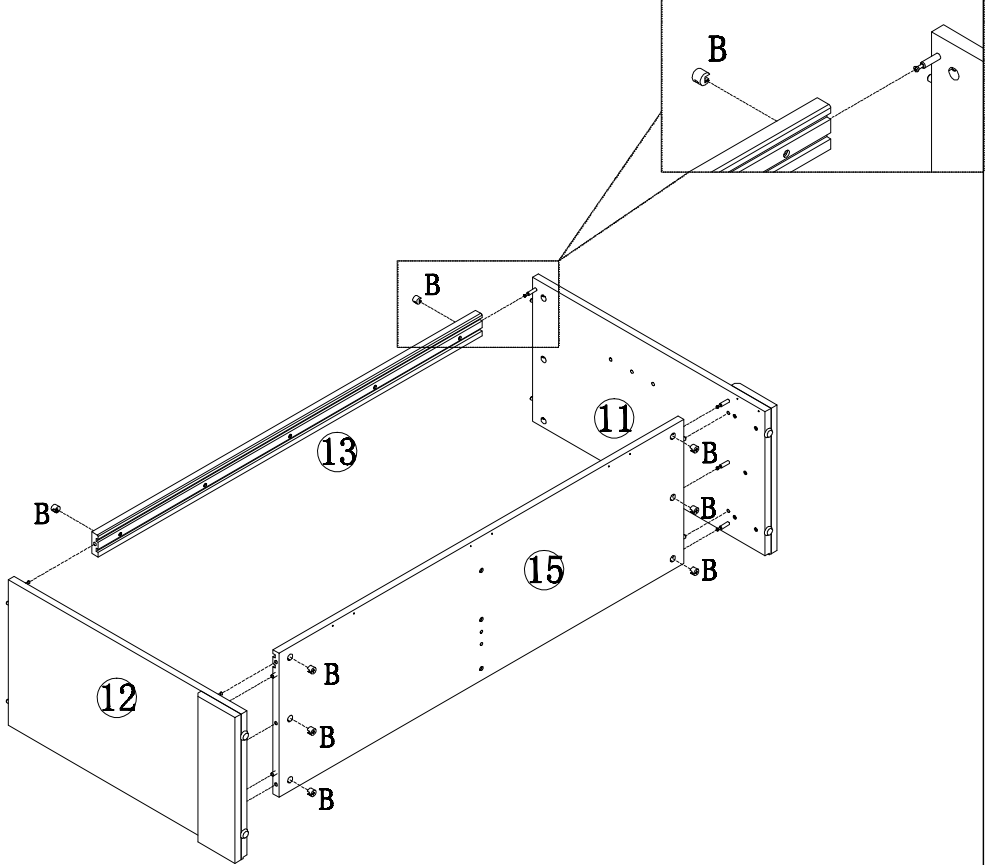


8



	
<b>K × 2</b>	<b>E × 2</b>

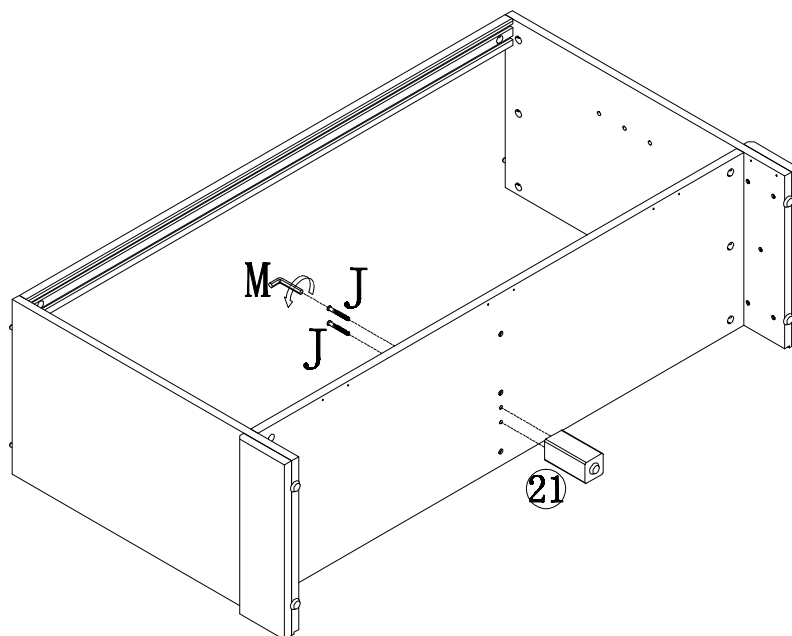
9




<b>B × 8</b>



10

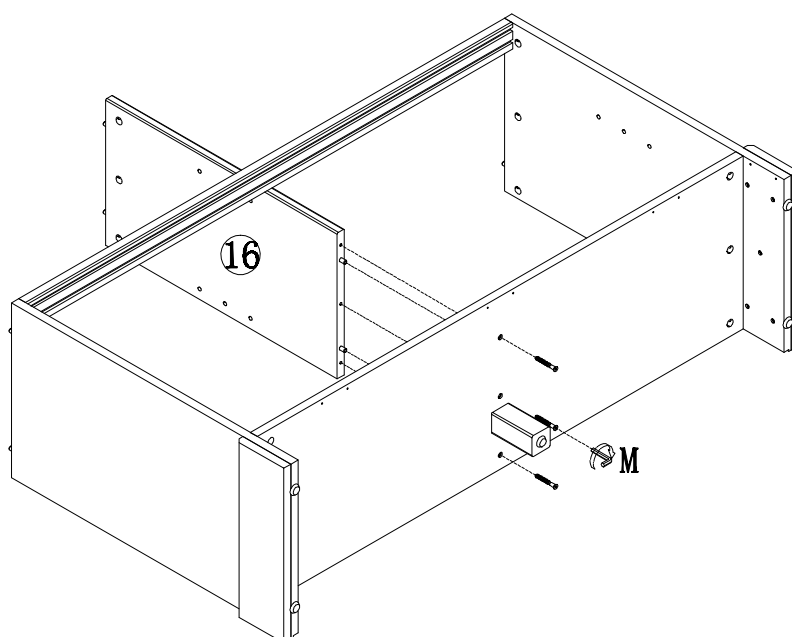


M×1

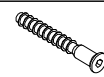


J×2

11

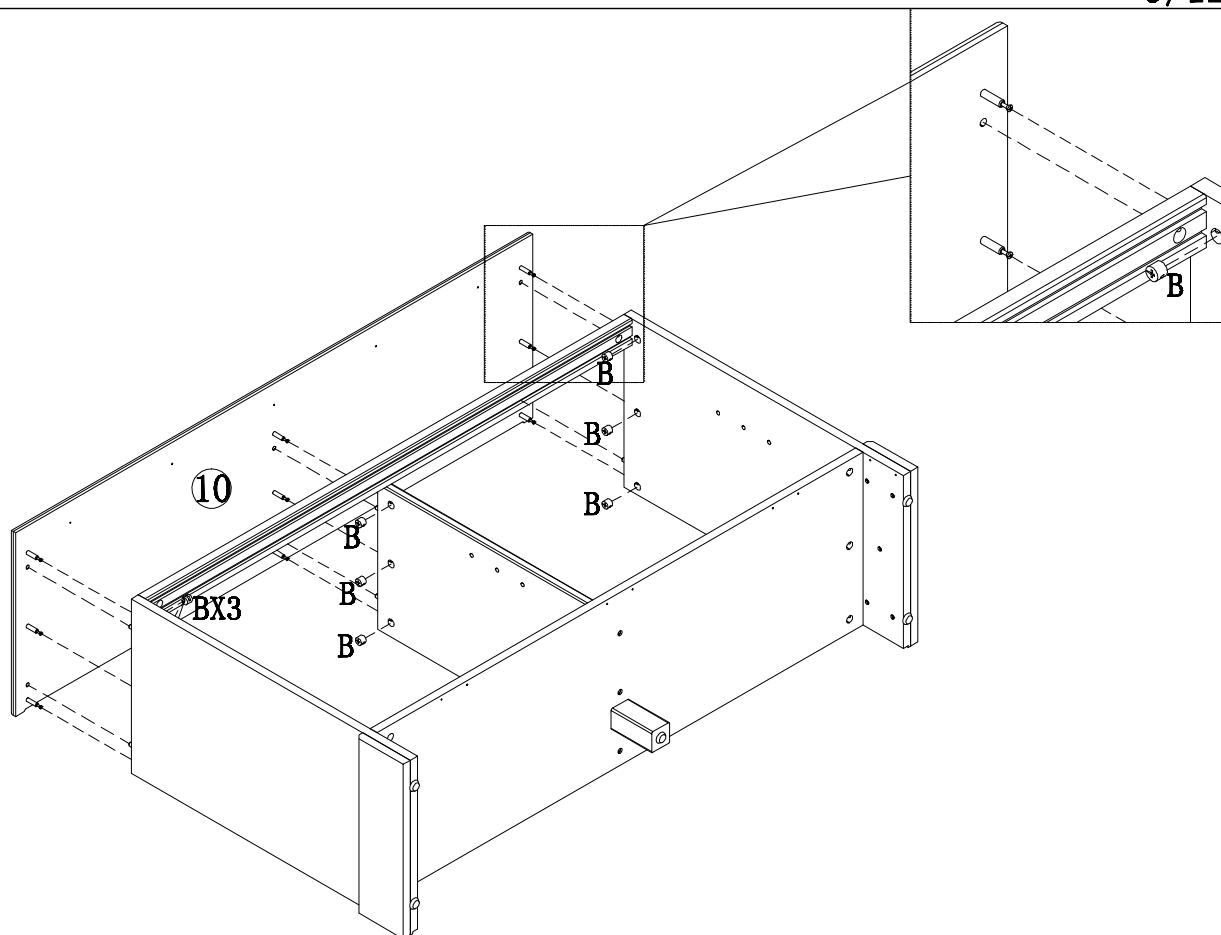


M×1



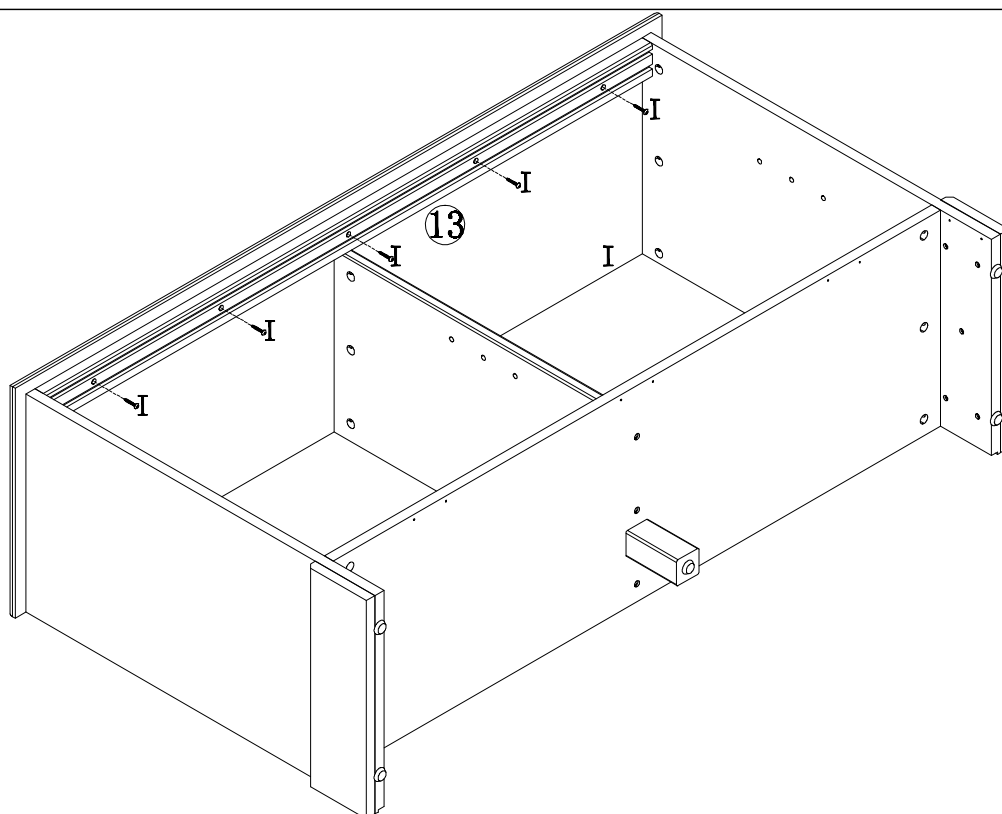
J×3

12



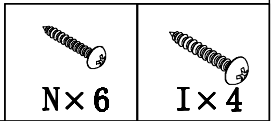
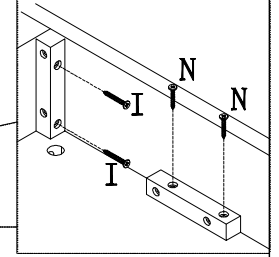
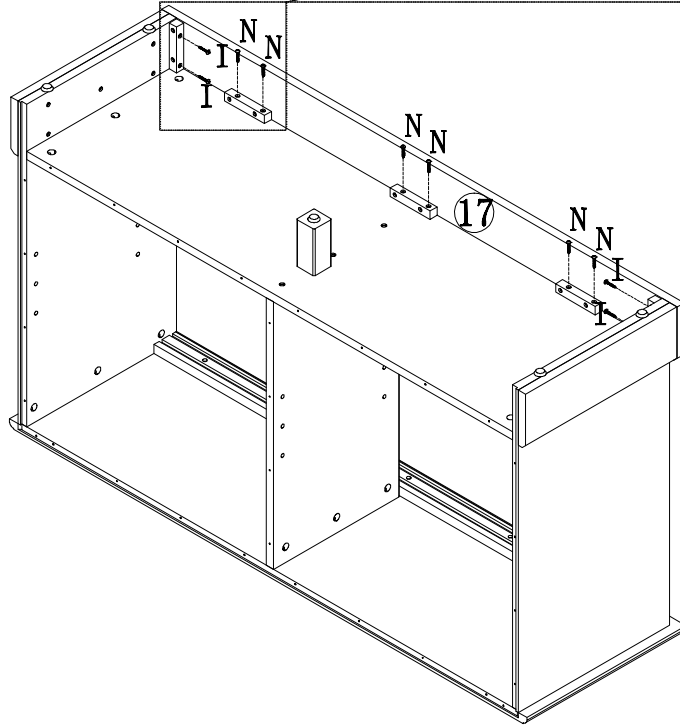
B×9

13

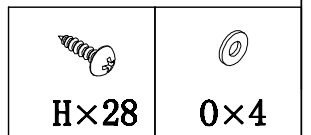
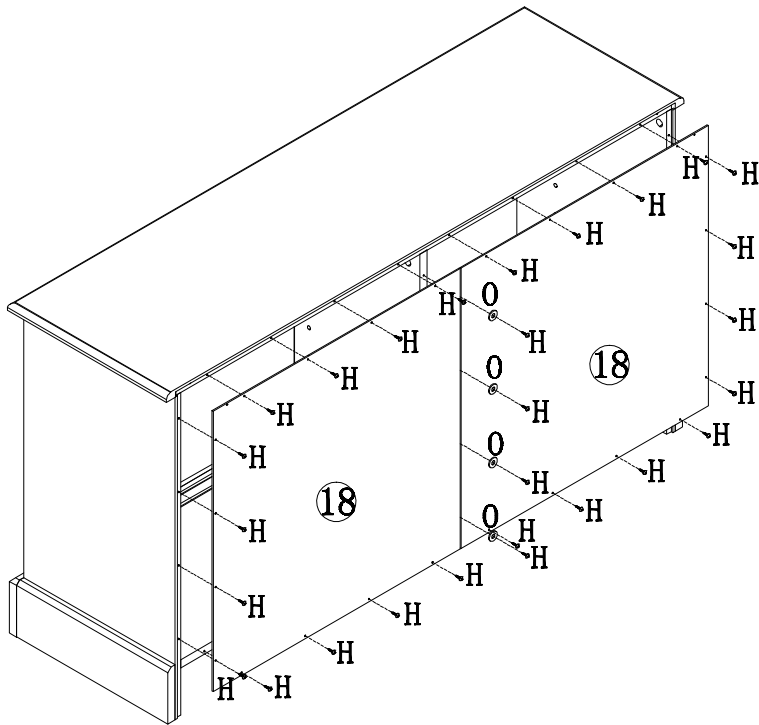


I×5

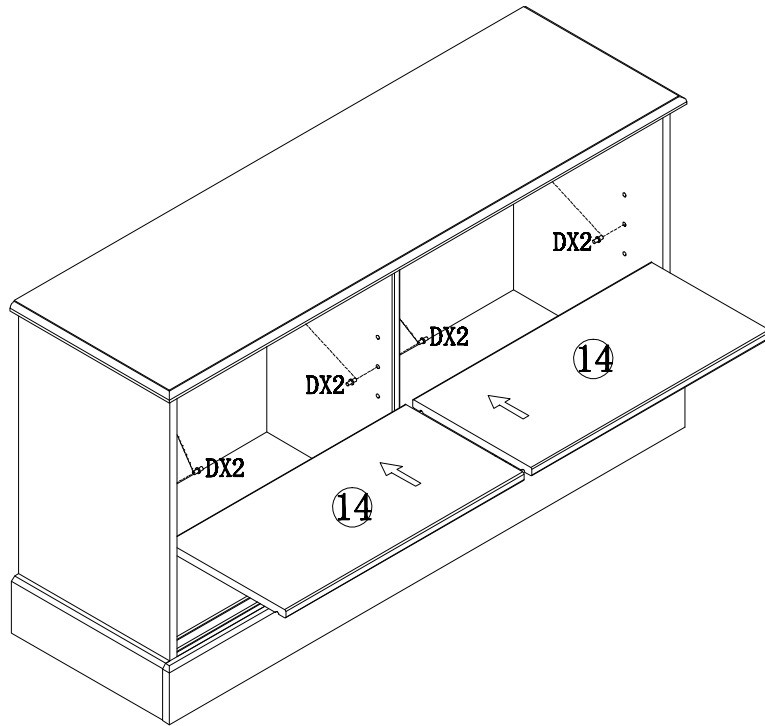
14



15

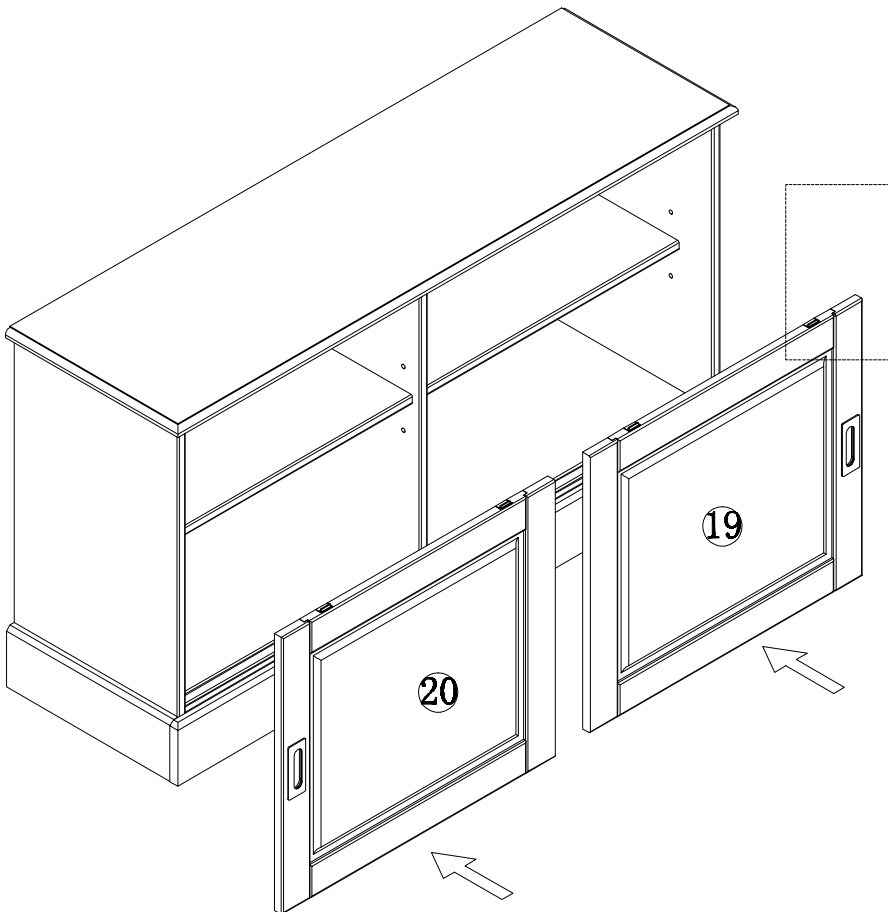


16

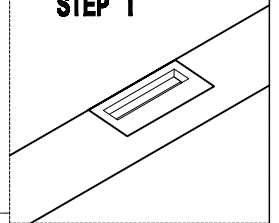


D×8

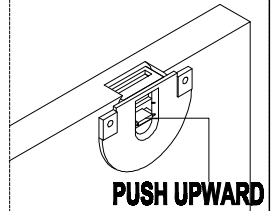
17



STEP 1



STEP 2



STEP 3

