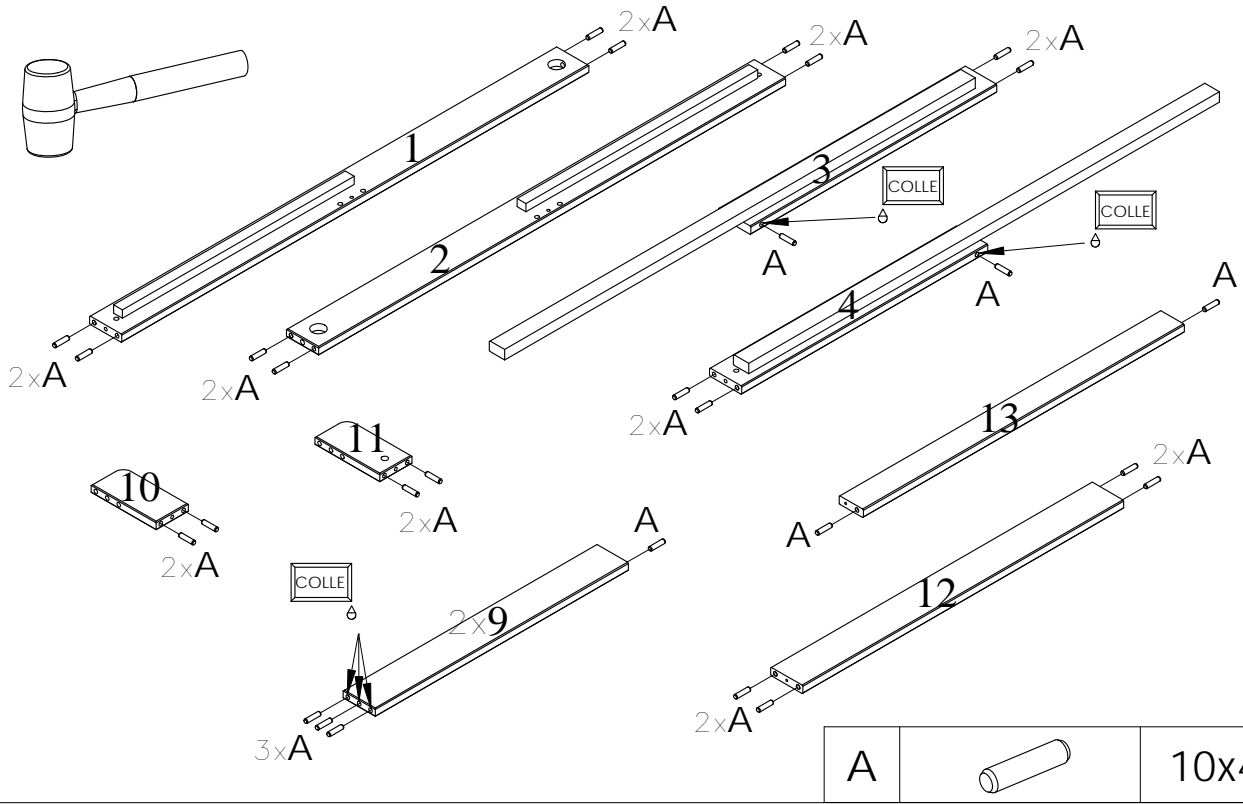


A		10x40	x32
B		6,3x50	x4
C		M6x55	x4
D		M6x10x13	x4
E		14x13,5	x2
F		M6x8x20	x2
G		M6x46	x2
H		M8x8	x2
J		7x50	x2

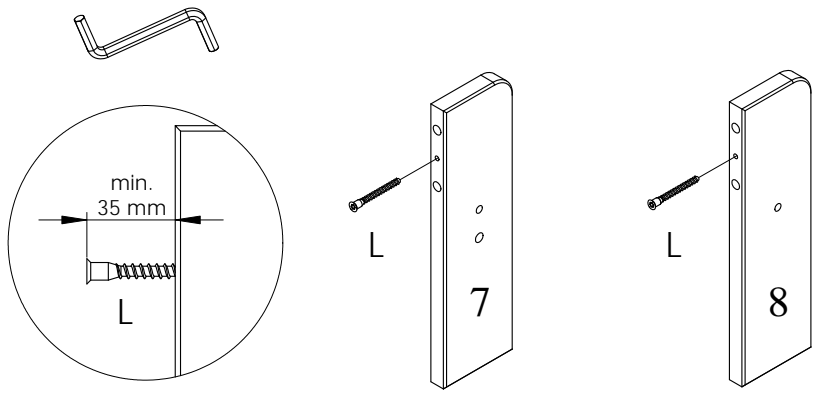
L		7x60	x2
M		D35	x2
N		3,5x40	x6
P		D4x13	x2
R		D15x18	x8
S			x1
T		4mm	x1
U		6mm	x1

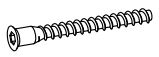
1



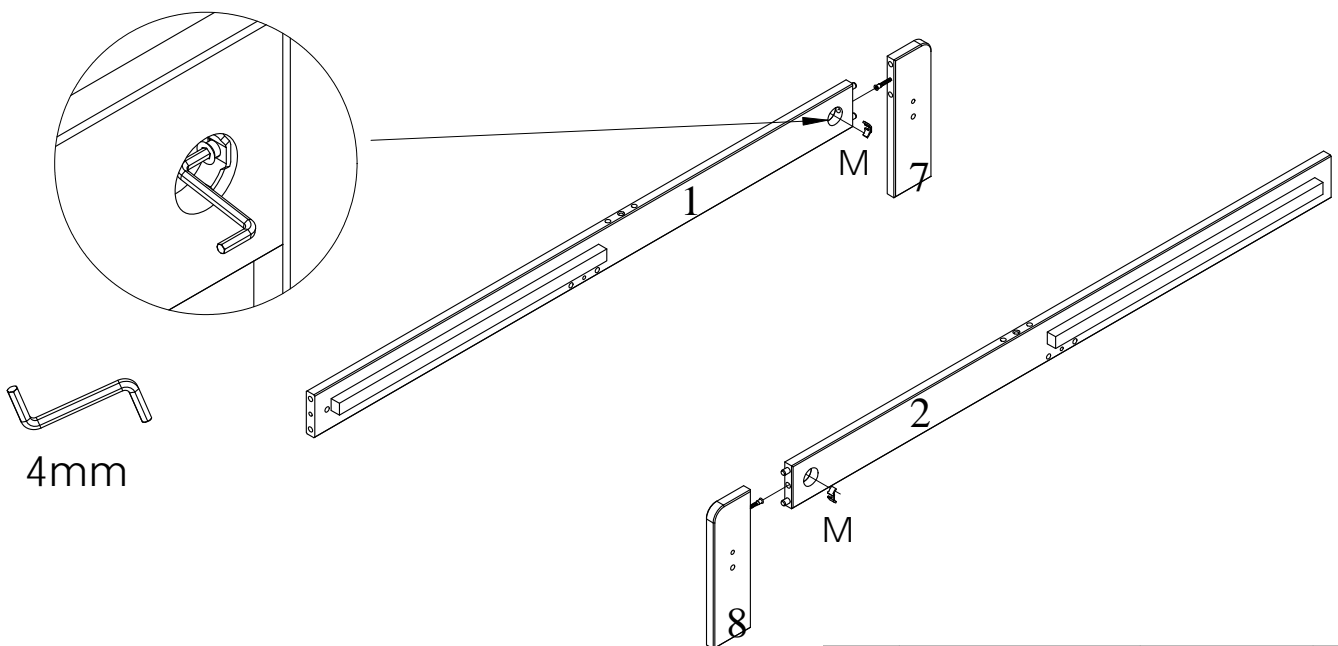
A		10x40	x32
---	---	-------	-----


2



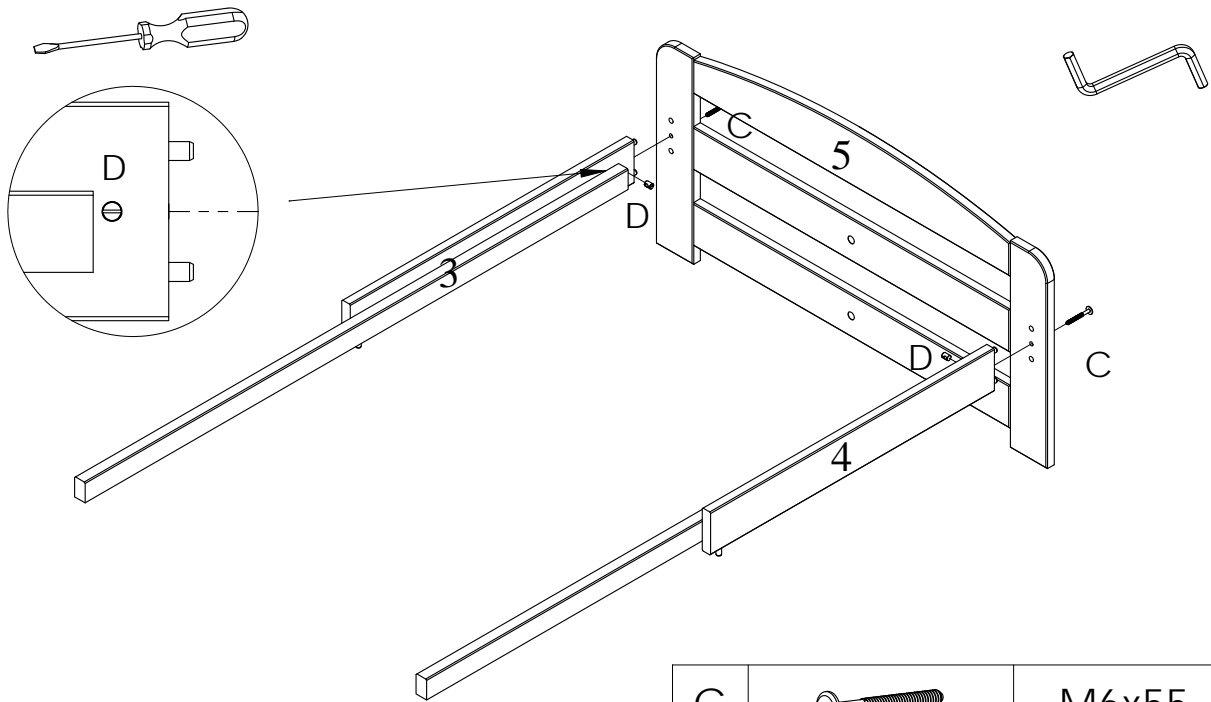
L		7x60	x2
---	---	------	----



3



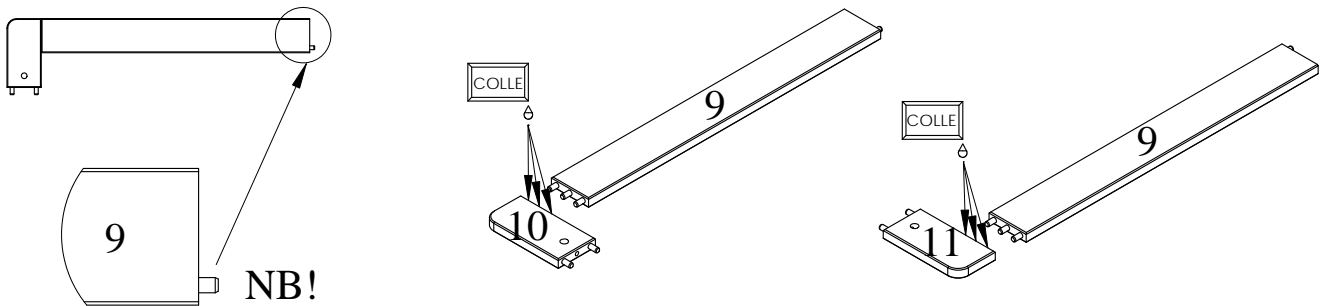
M		D35	x2
---	---	-----	----

4

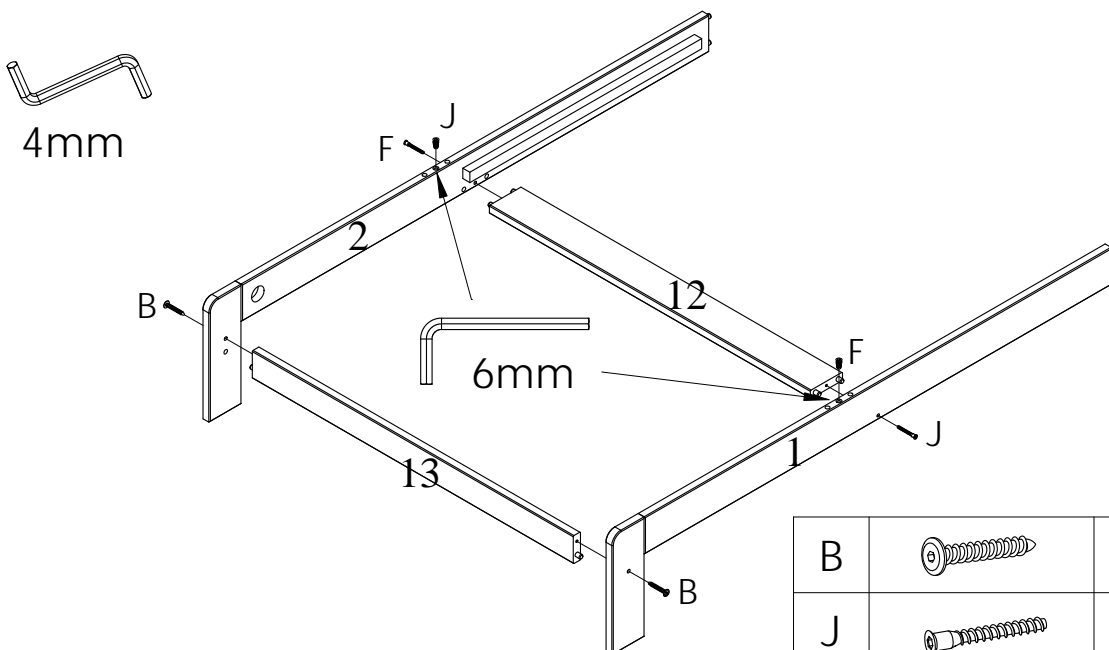


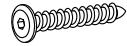


C		M6x55	x2
D		M6x10x13	x2

5

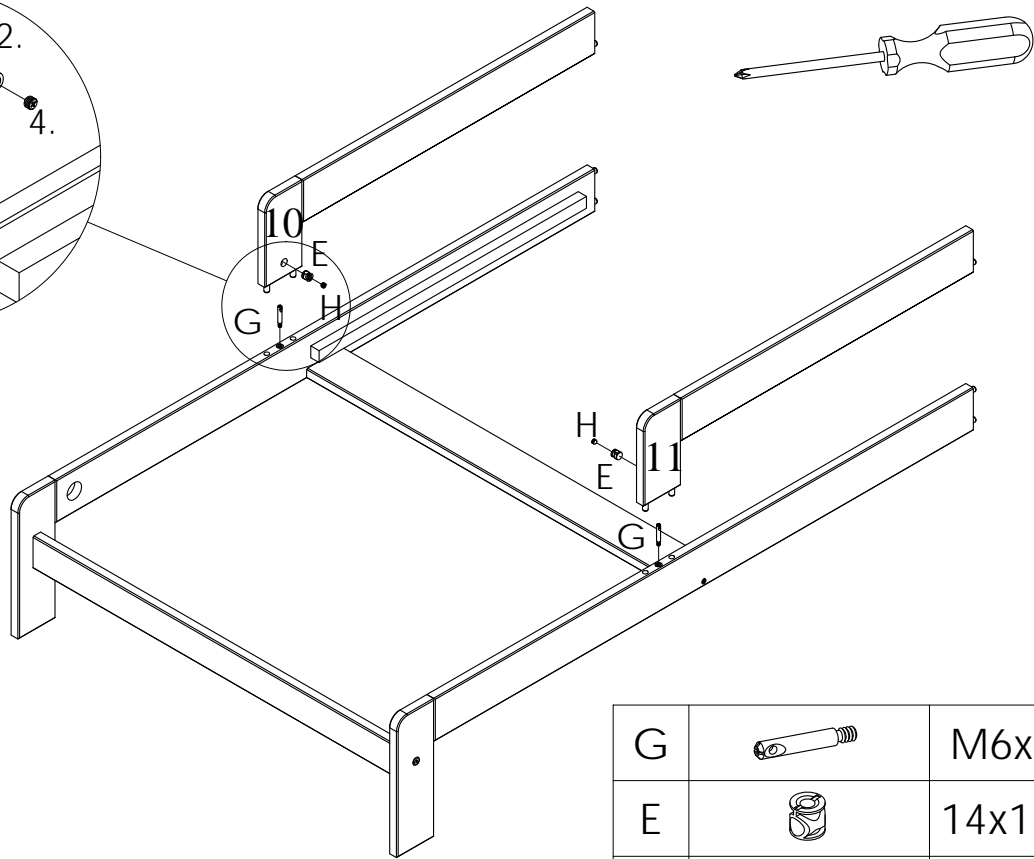
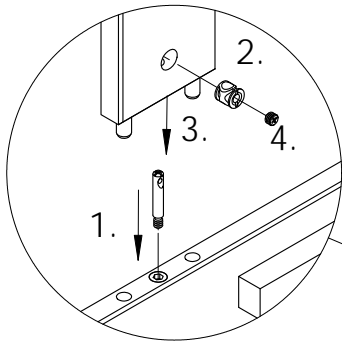





6



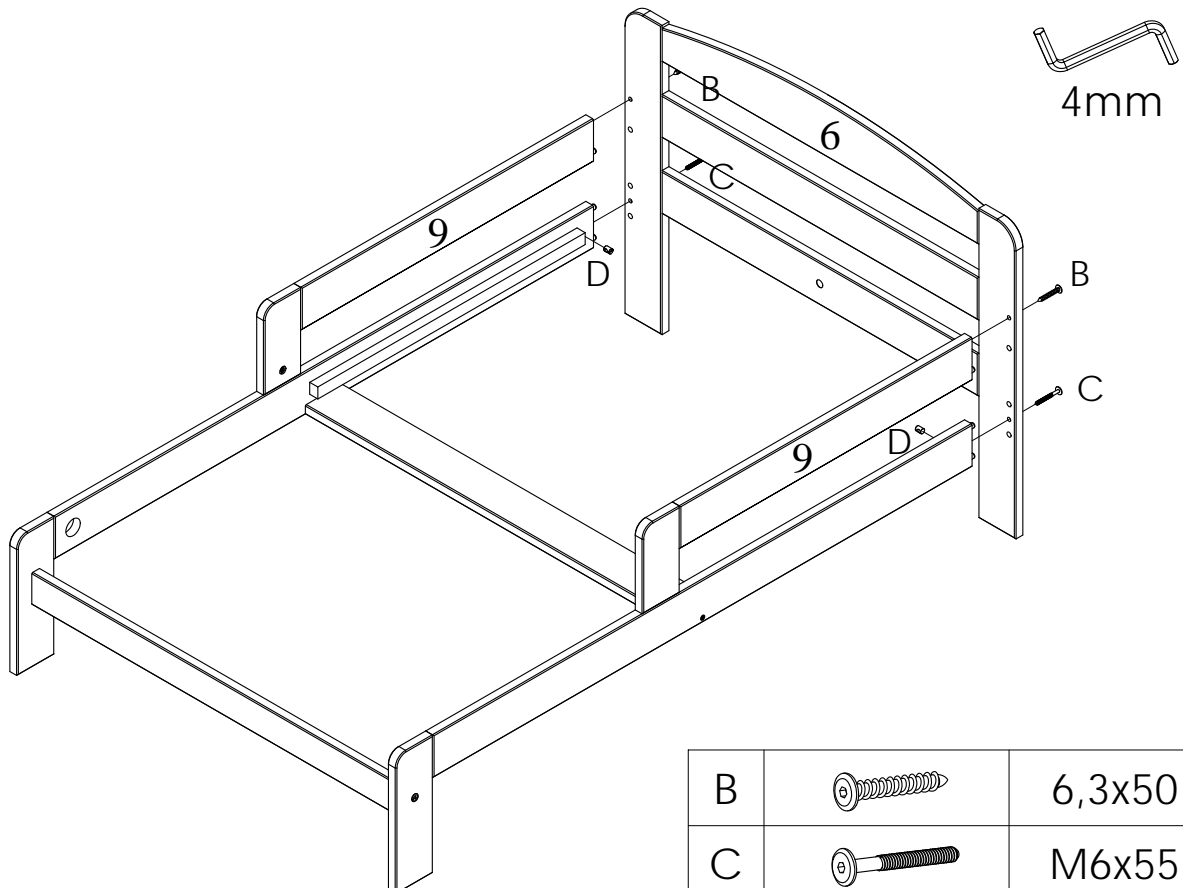
B		6,3x50	x2
J		7x50	x2
F		M6x8x20	x2




7



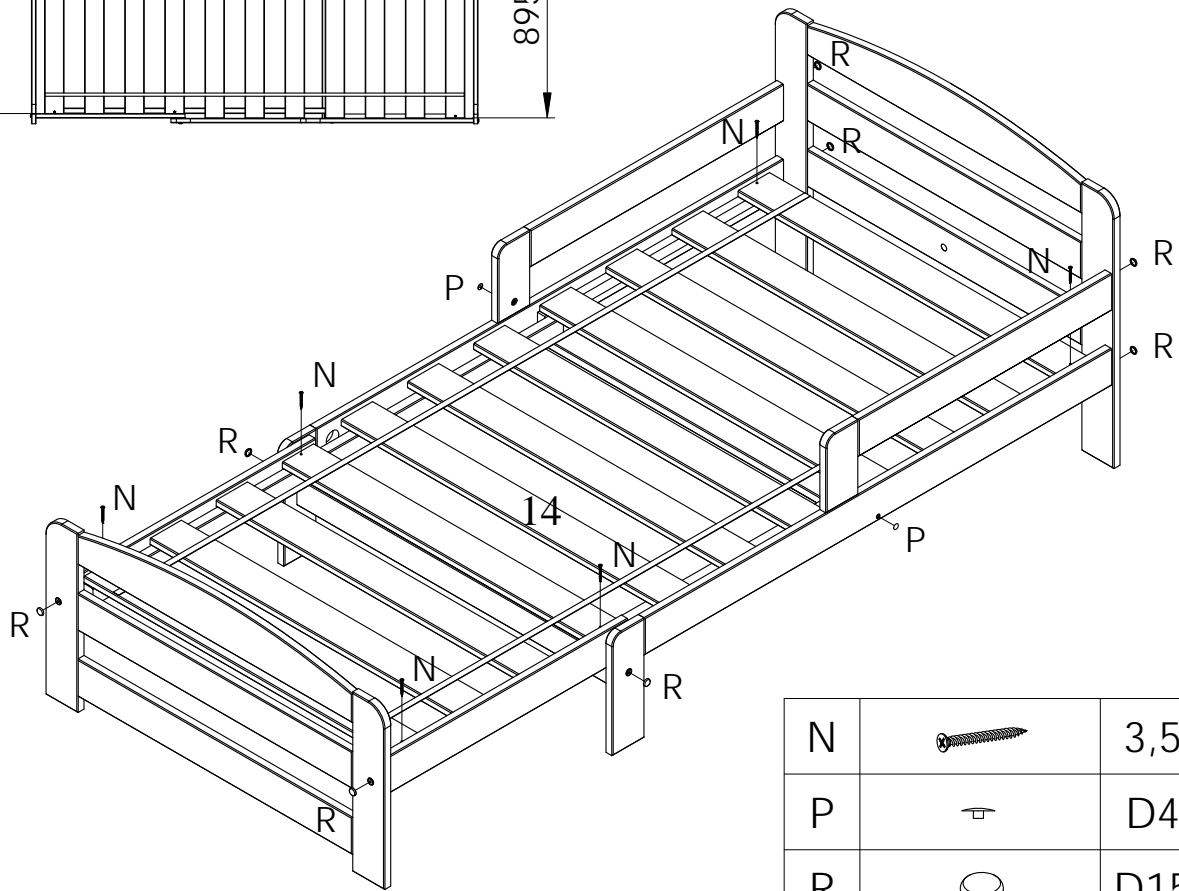
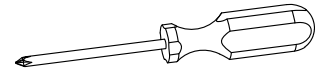
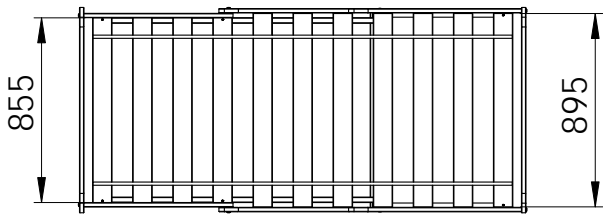
G		M6x46	x2
E		14x13,5	x2
H		M8x8	x2




8



B		6,3x50	x2
C		M6x55	x2
D		M6x10x13	x2

9



N		3,5x40	x6
P		D4x13	x2
R		D15x18	x8