

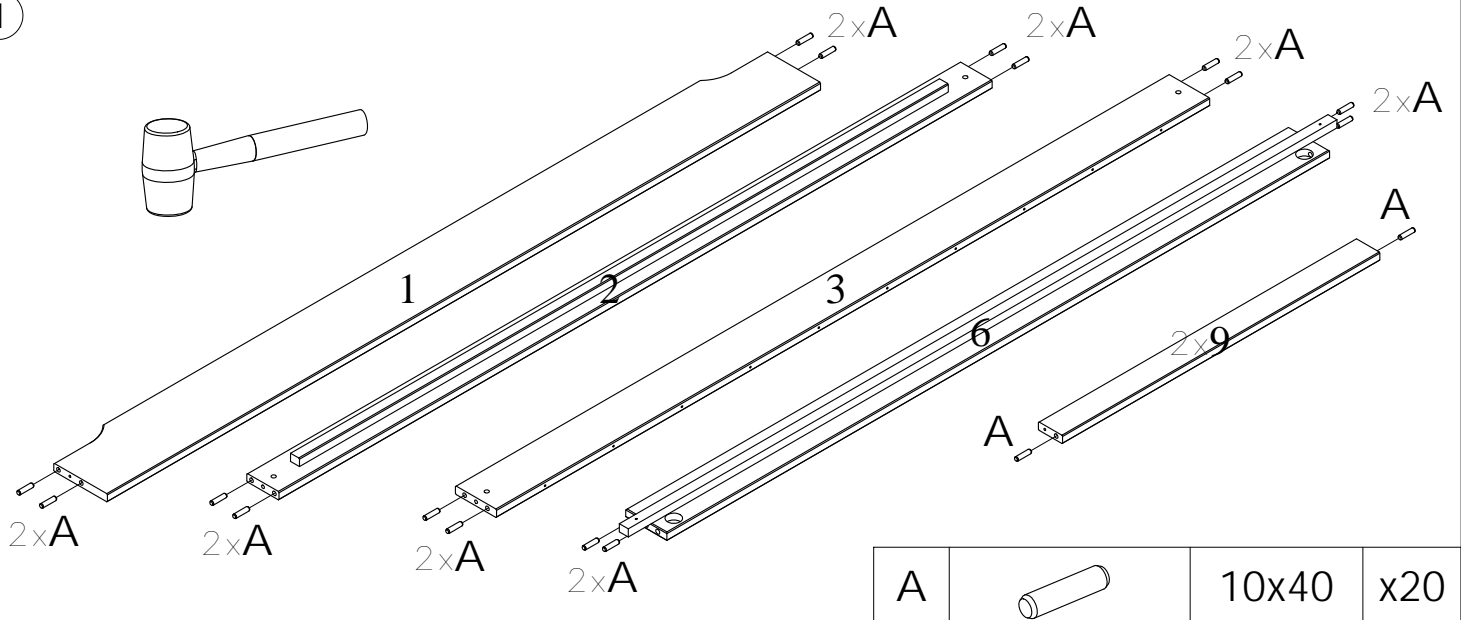
A		10x40	x20
B		6,3x60	x2
C		M6x60	x4
D		M6x10x13	x4
E		D35	x2
F		7x60	x2
G		7x50	x4
H		5x38	x13

J		3,5x35	x23
K		3,5x20	x20
L		102x30x6	x1
M		120x30x6	x1
N		D4x13	x2
P		D15x18	x6
Q		4mm	x1

R		8x40	x8
A		10x40	x4
S		7x34	x2
T		15x12	x2
U		3,5x40	x4
V		3,5x20	x2

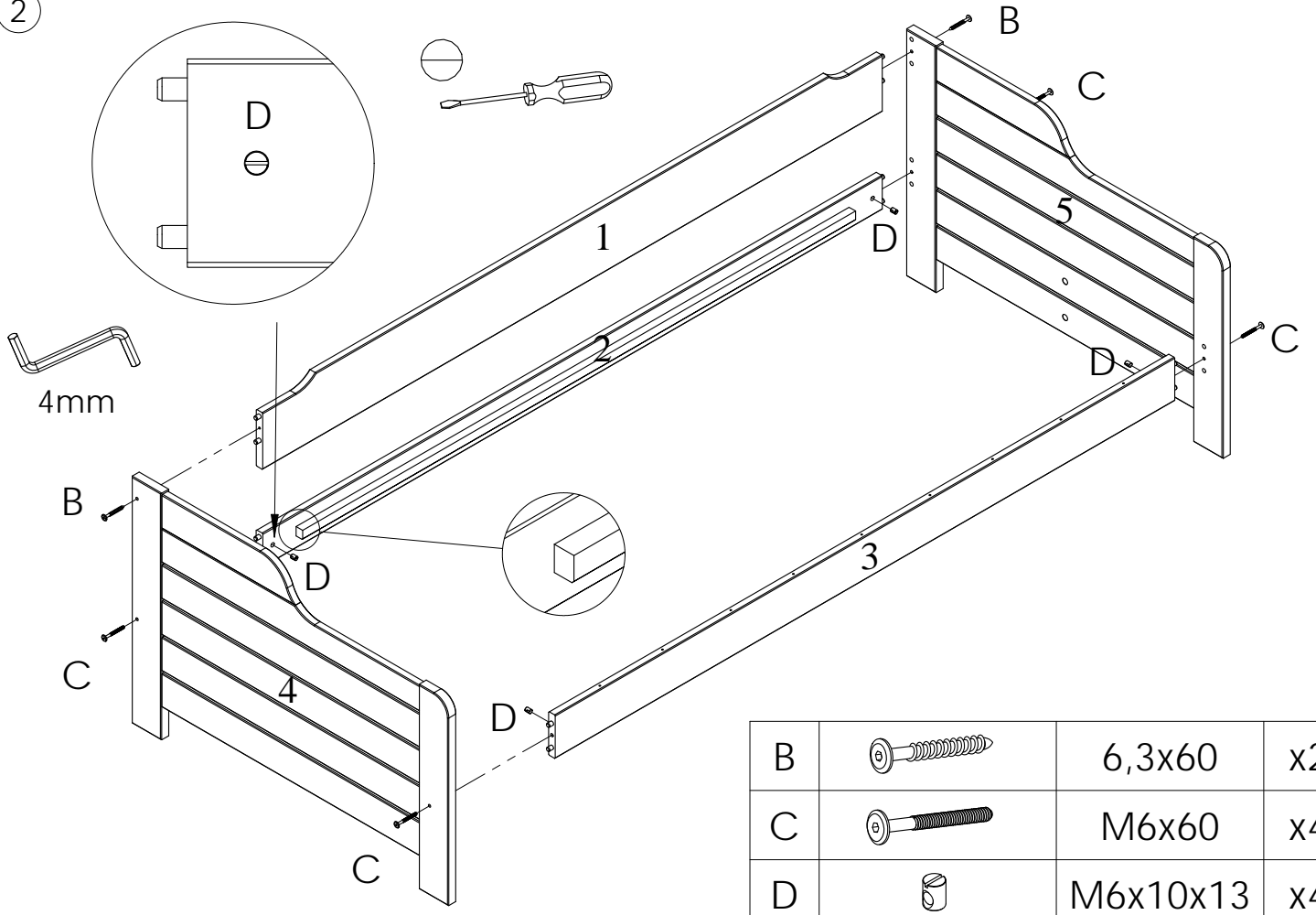
W		1,6x16	x25
X		3,5x16	x12
Y		D26	x6
Z		40x20	x1
A1		COLLE	x1

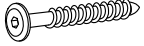


①



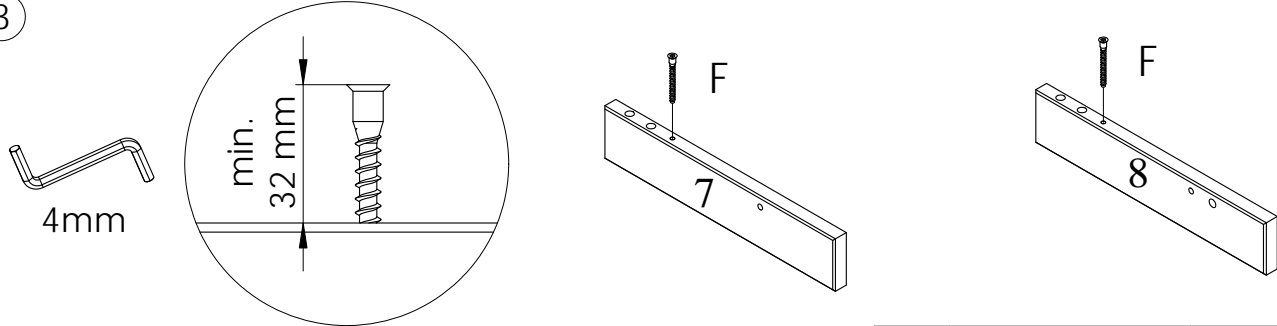
A		10x40	x20
---	---	-------	-----

②

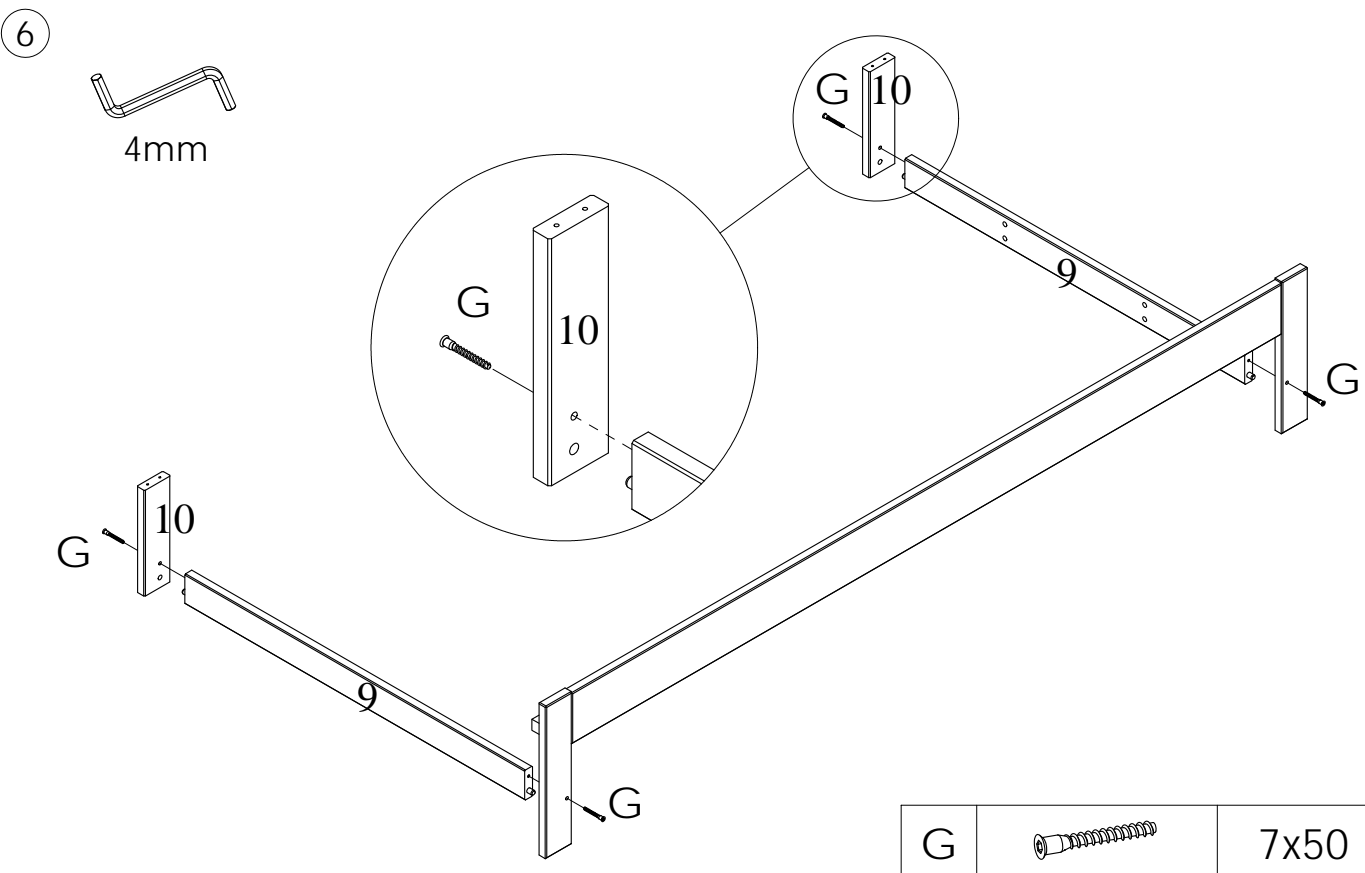
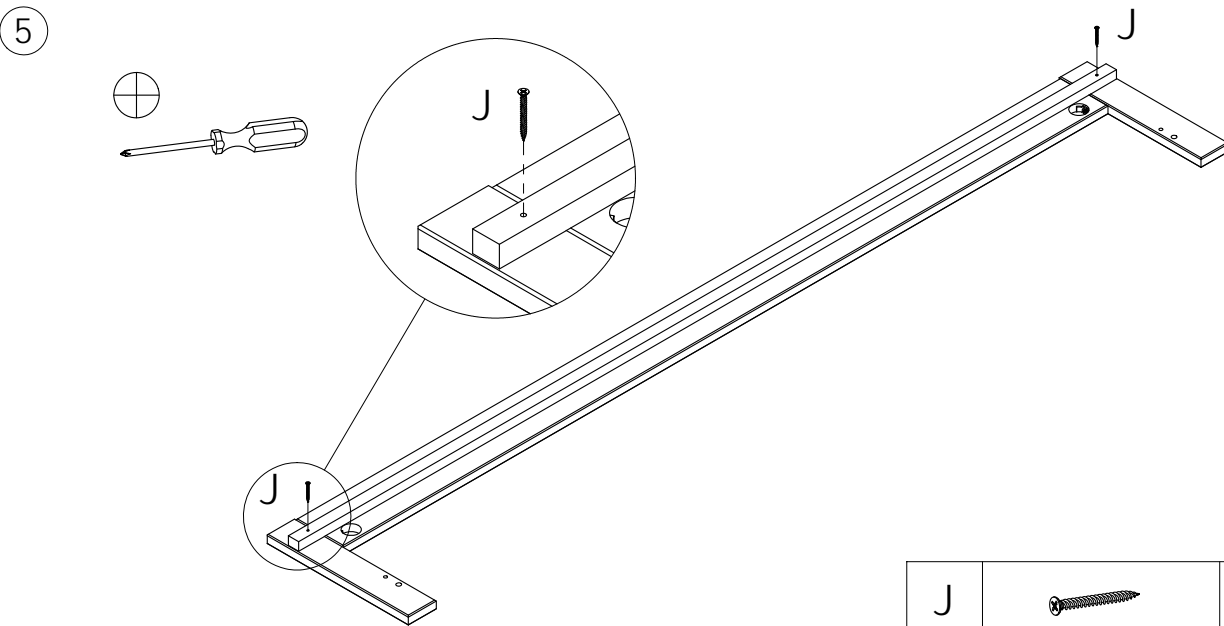
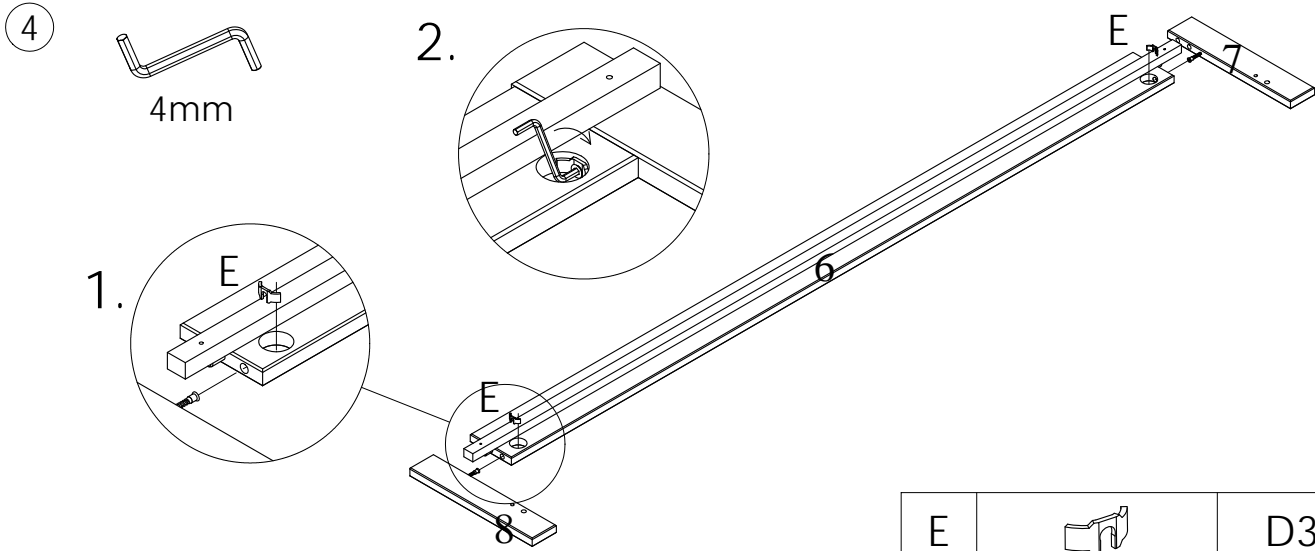


B		6,3x60	x2
C		M6x60	x4
D		M6x10x13	x4

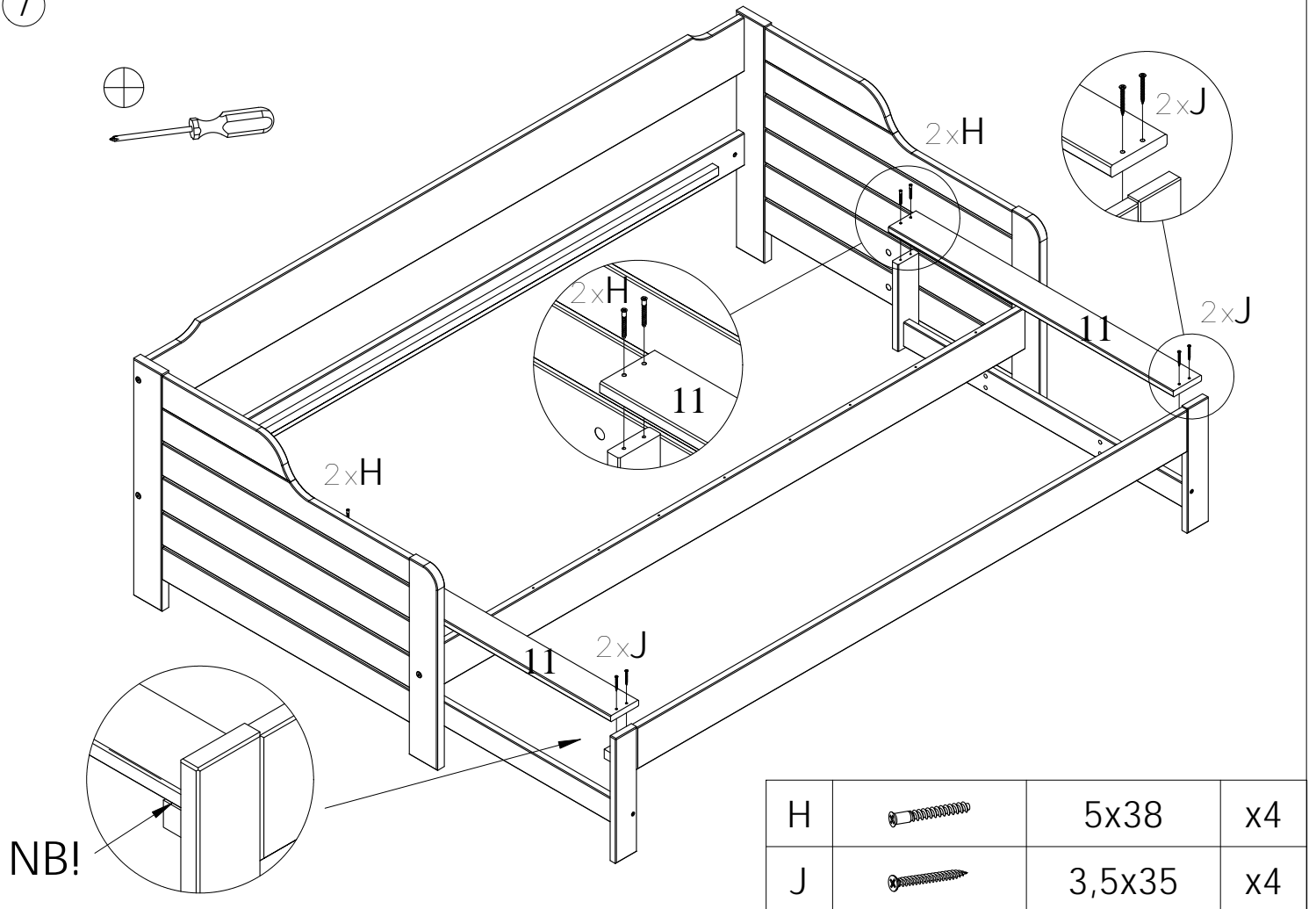
③




F		7x60	x2
---	---	------	----

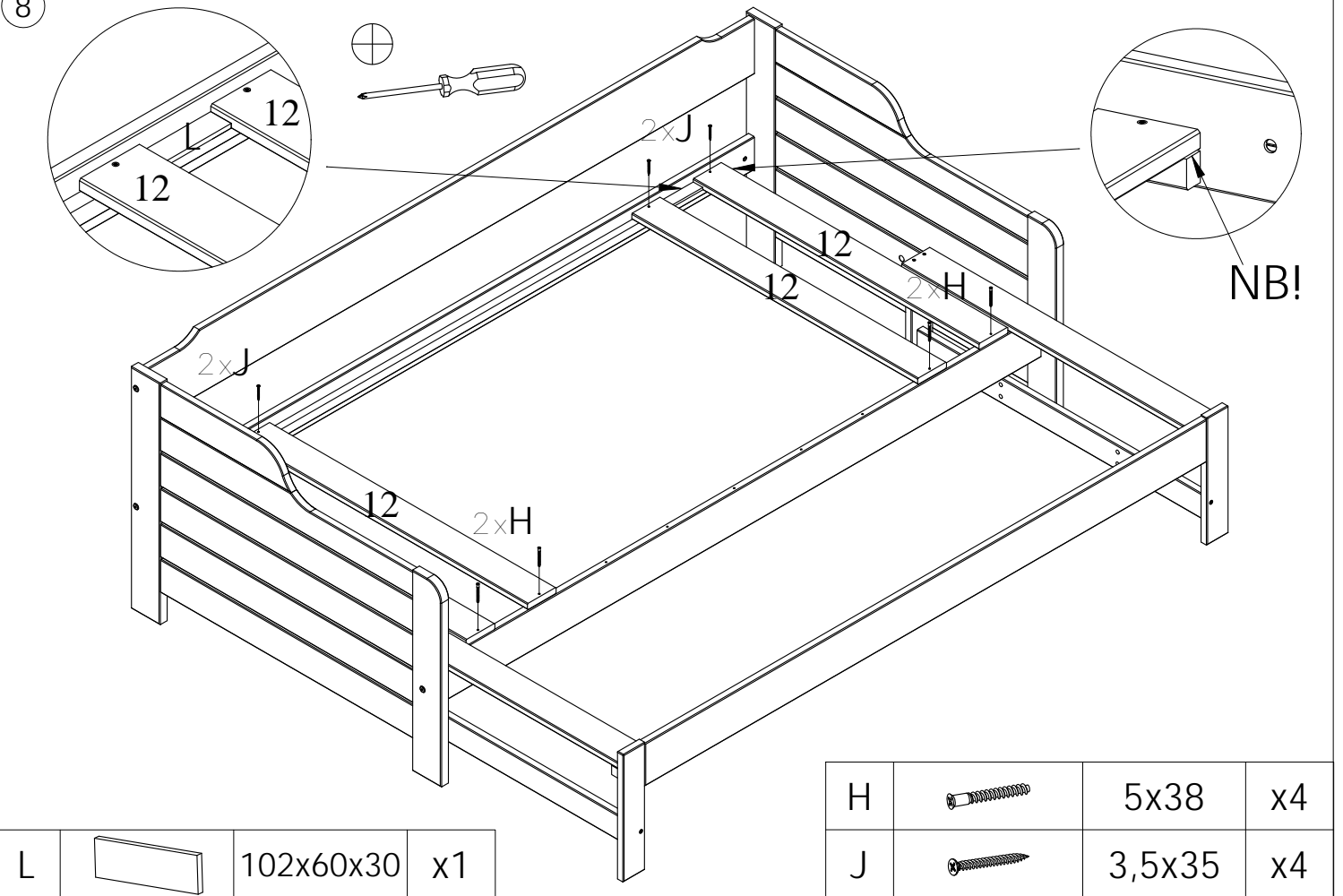




7




H		5x38	x4
J		3,5x35	x4

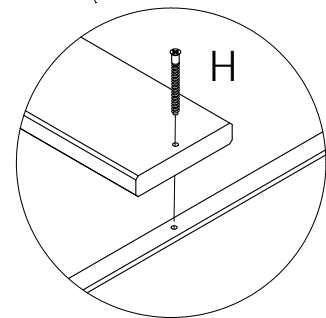
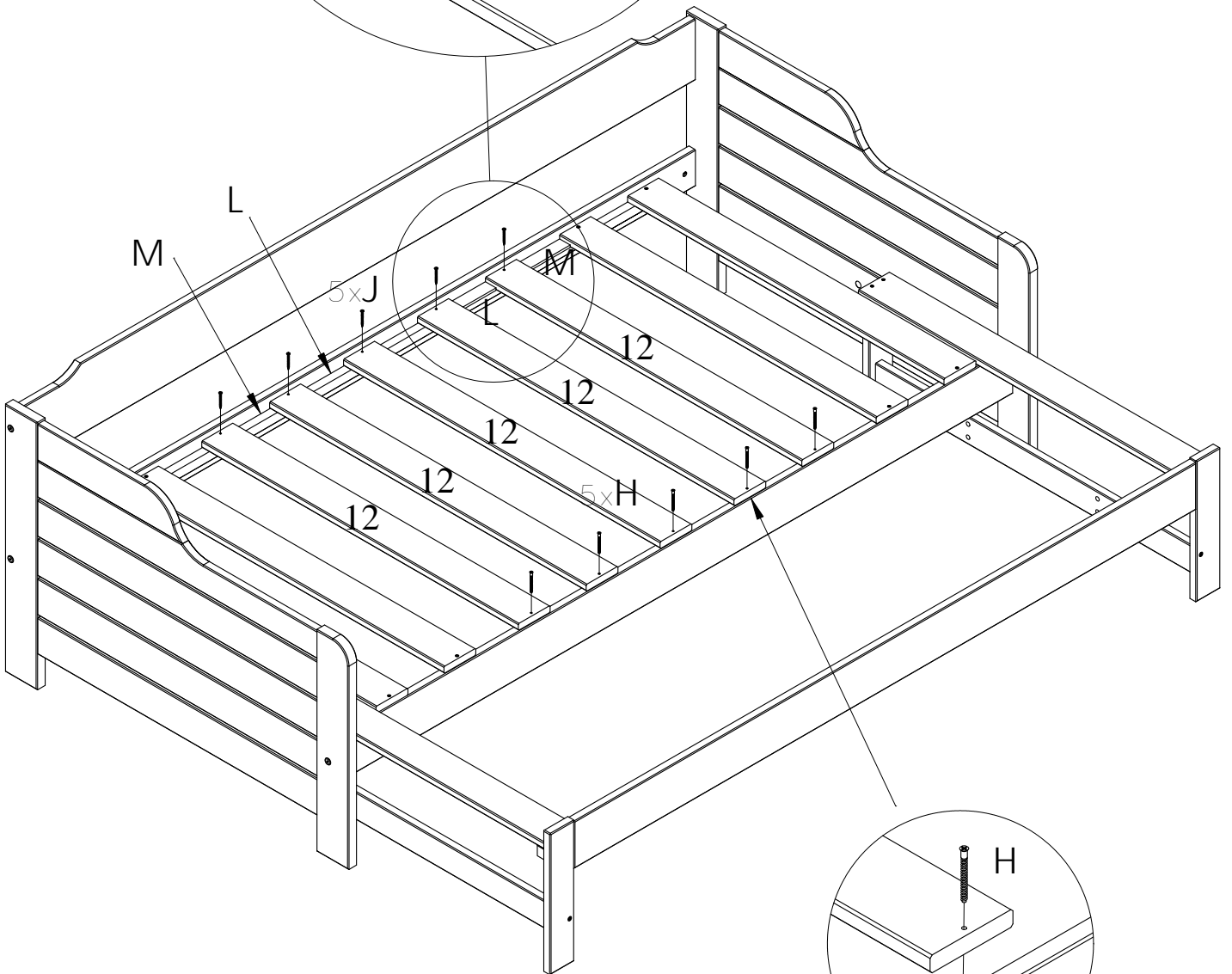
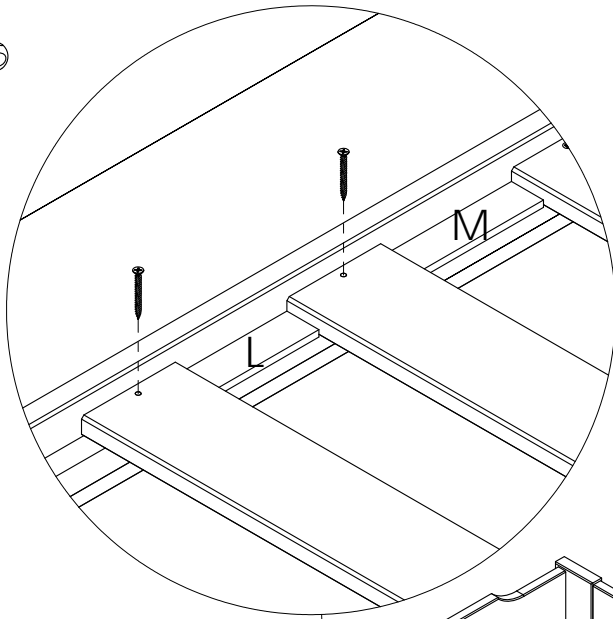
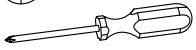
8



H		5x38	x4
J		3,5x35	x4

L		102x60x30	x1
---	---	-----------	----

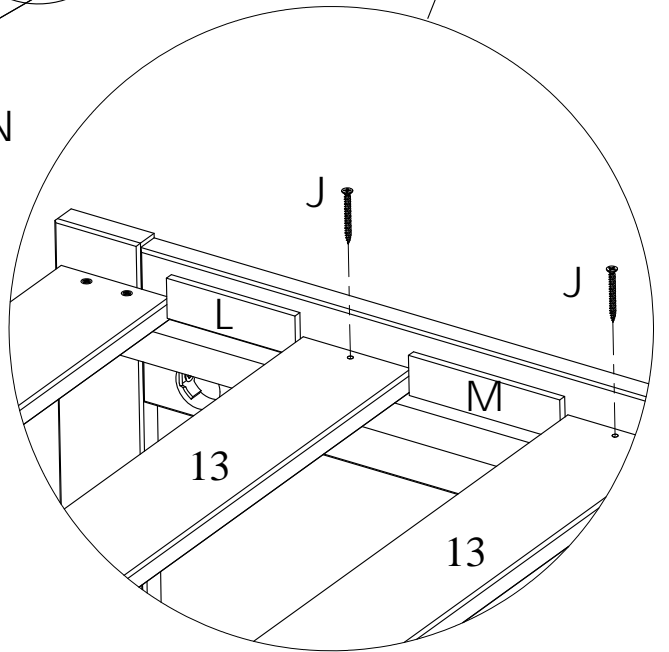
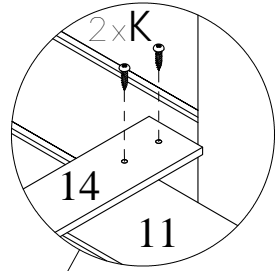
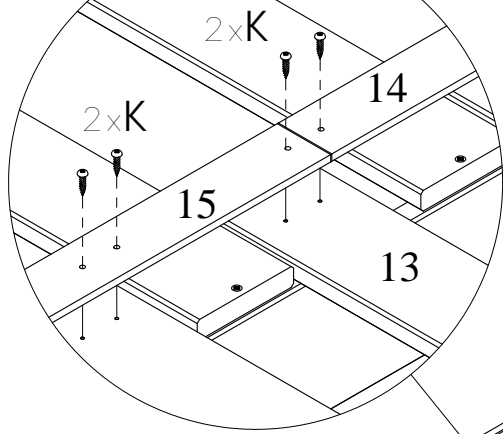
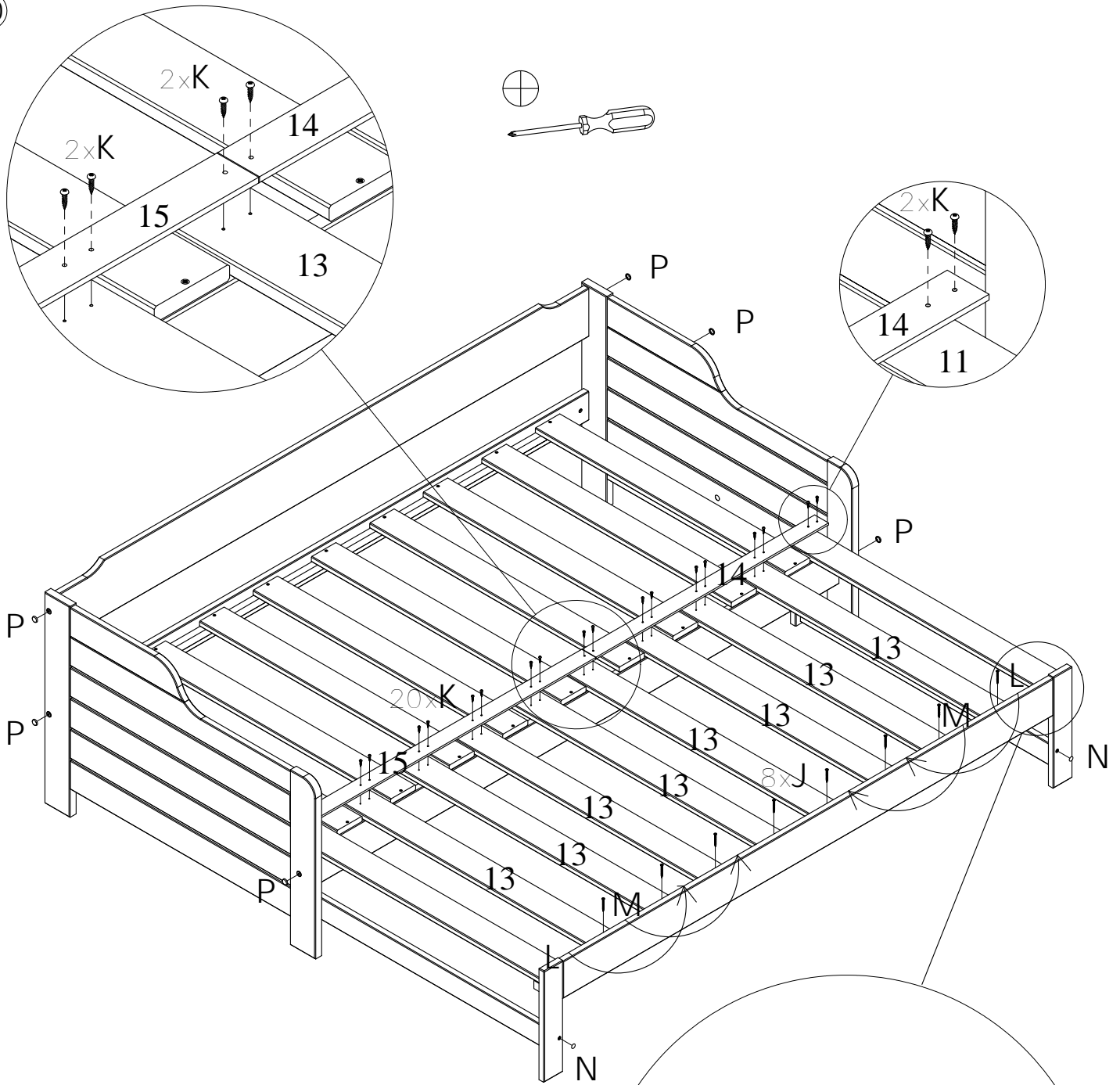
9



L		102x30x6	x1
M		120x30x6	x1

H		5x38	x5
J		3,5x35	x5

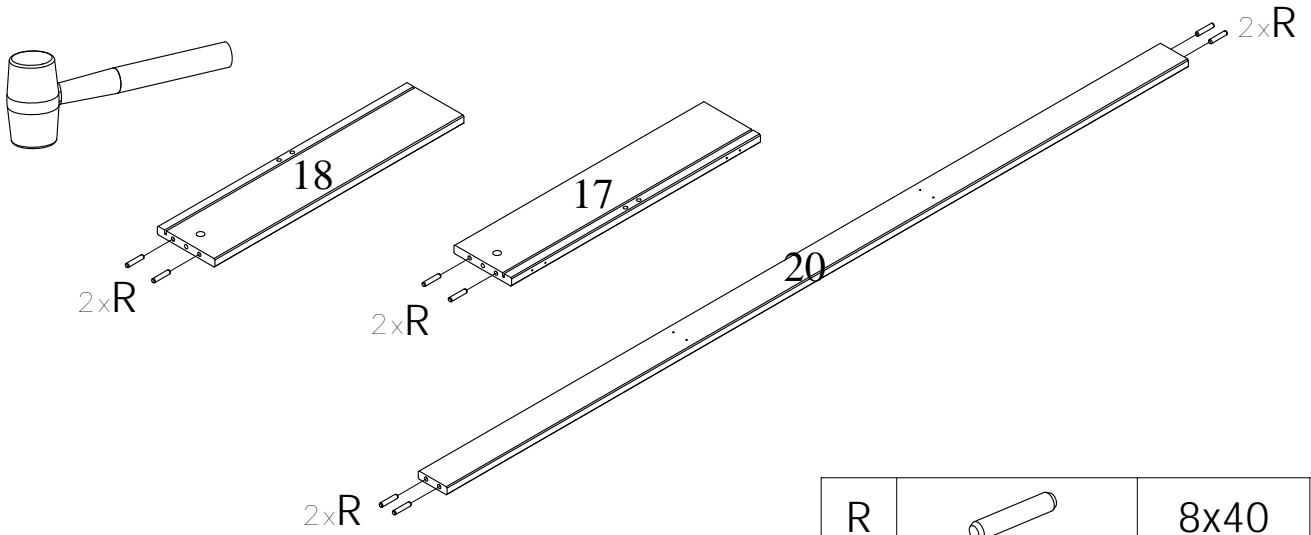
10



L		102x30x6	x1
M		120x30x6	x1
N		D4x13	x2
P		D15x18	x6

J		3,5x35	x8
K		3,5x20	x20

11



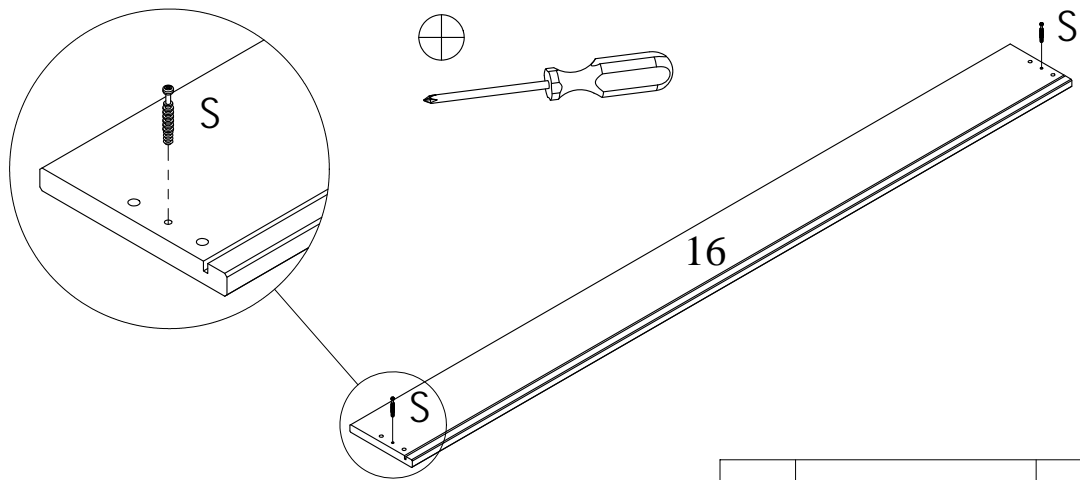
R



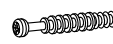
8x40

x8

12



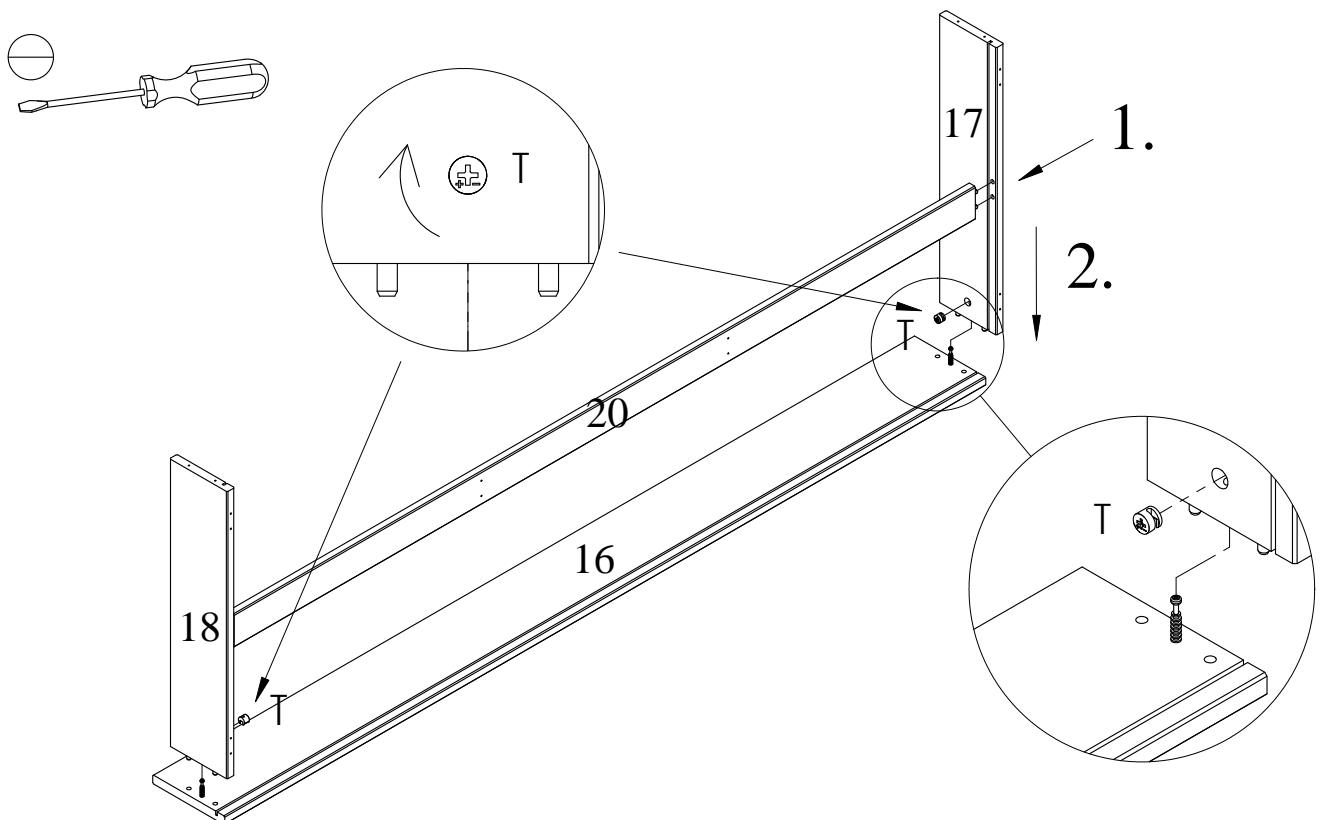
S



7x34

x2

13



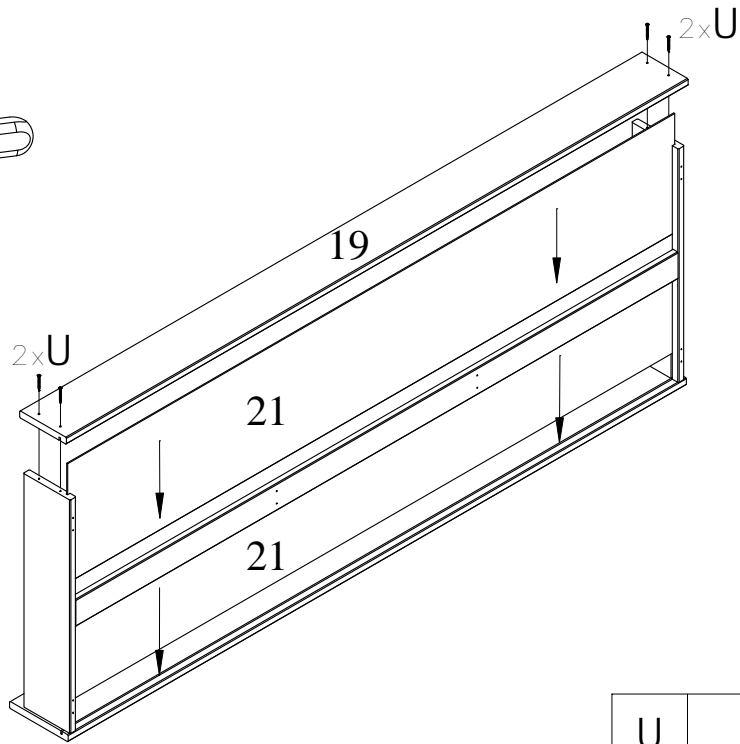
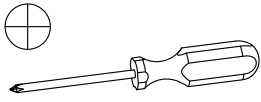
T



15x12

x2

14



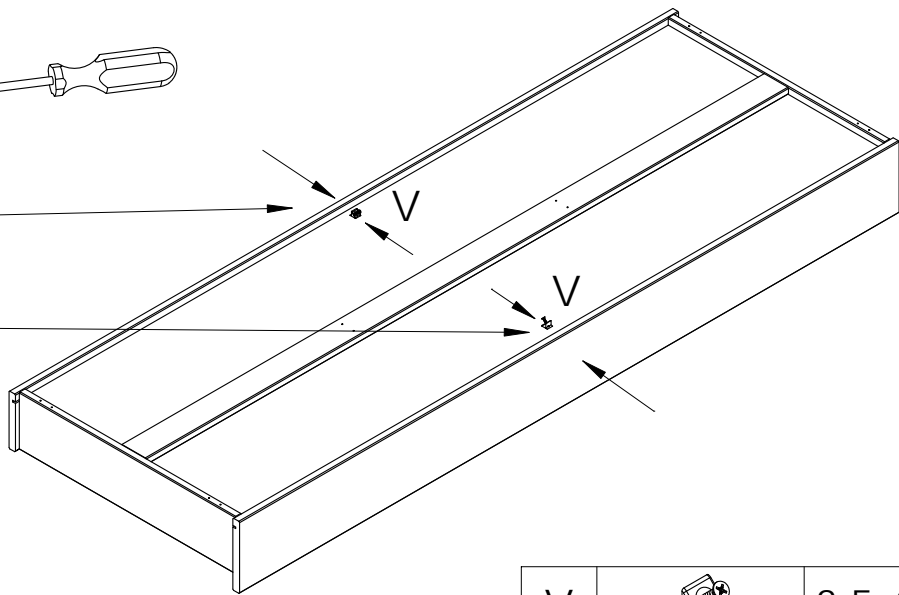
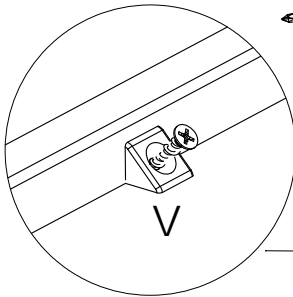
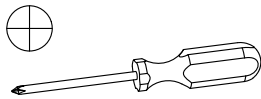
U



3,5x40

x4

15



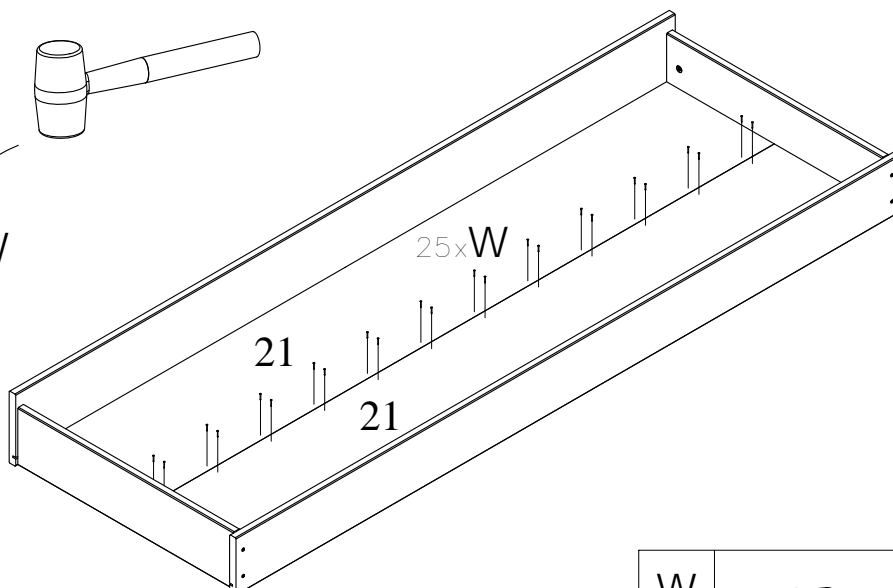
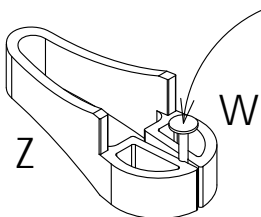
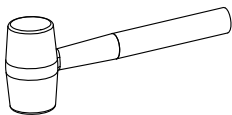
V



3,5x20

x2

16



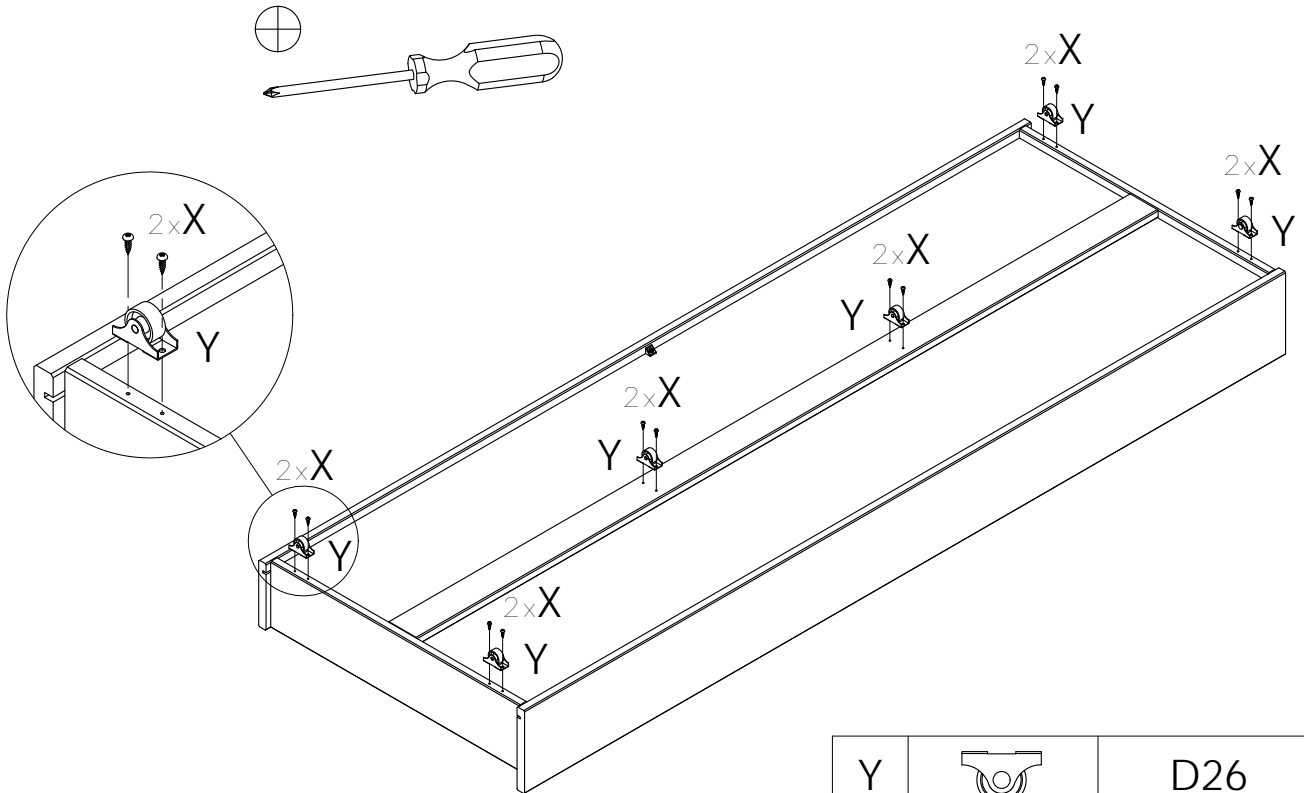
W





1,6x16

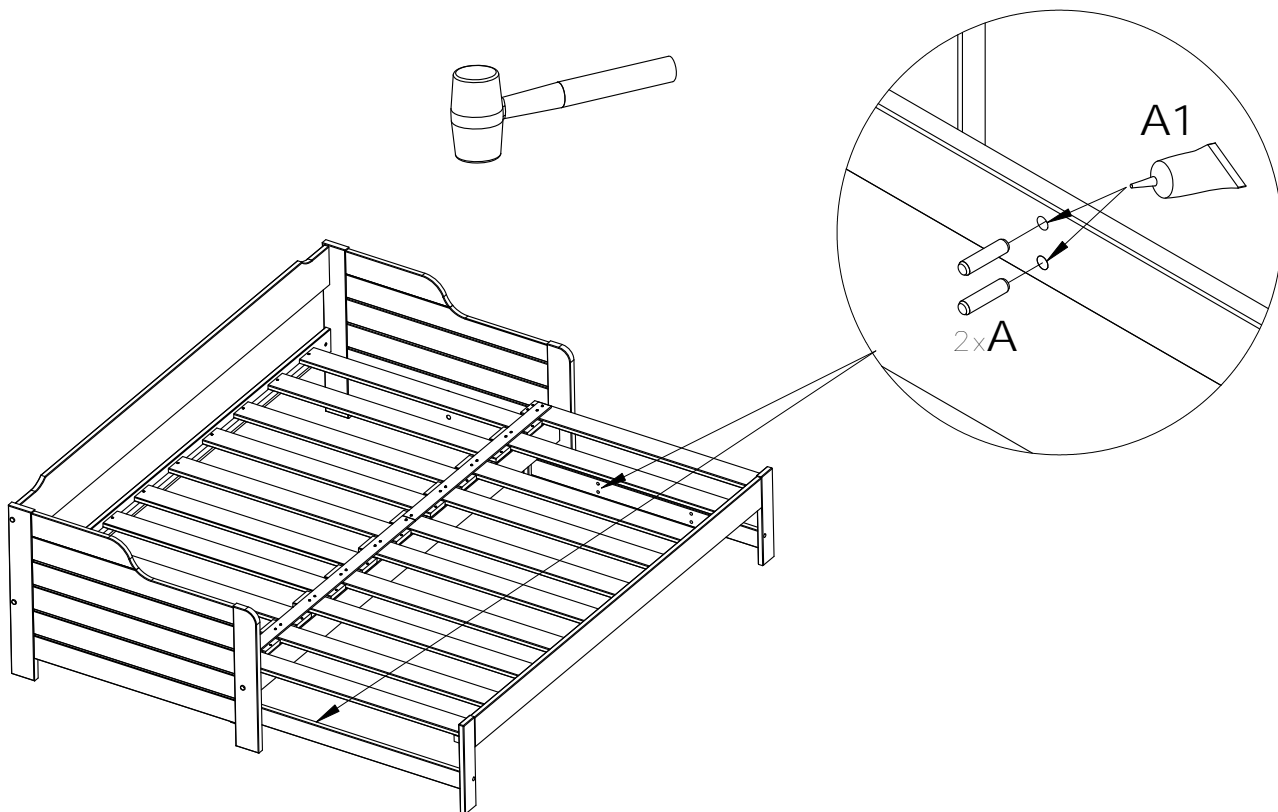
x25

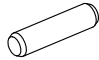
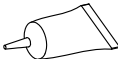
17



Y		D26	x6
X		3,5x16	x12

18



A		10x40	x4
A1		COLLE	x1